

# 0.5-40GHz Broadband Switch

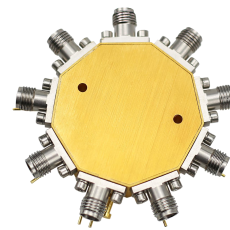
P/N: SP8T005400GB60A



## Description:

The switch is a broadband PIN switch with a typical Loss insertion of 8.5 dB and a high isolation of 60dB across the frequency range of 0.5 to 40 GHz. The typical switch speed 100ns. The DC power requirement for the switch is +5 V/350mA -5V/-50mA. Accept customization according to different needs.

## Electrical Specifications ( +25°C ) :



- Radar Systems
- Communication Systems
- Receivers Systems

Parameter	Min.	Typ.	Max.	Units
Frequency Range		0.5-40		GHz
Insertion Loss		6.5		dB
Isolation	50	60		dB
Input VSWR			2.5	-
Output VSWR			2.5	-
Switch Speed		100	200	ns
Power Handling			23	dBm
Amplitude repeated switching stability		0.1		dB
Phase repeated switching stability		3		°
Amplitude consistency		± 1		dB
Phase consistency		± 30		°
DC Current (Vcc=+/-5V)		350/-50		mA
Control Logic TTL		0/+5		v
DC and control interface		MicroD-15P-Female		-
Impedance		50		Ω
Input Output Connector		2.92-Female/2.92-Female		
Switch Type		Absorption		
Material		Aluminium\Gold Painting		
Weight		83g		
Package Sealing		General Sealing (Standard)		

## Environmental Specifications:

- ※ Operational Temperature -25°C~+85°C
- ※ Storage Temperature -55°C~+125°C



OBSERVE  
PRECAUTIONS ELECTROSTATIC  
SENSITIVE DEVICES

MICZEN THCHNOLOGIES CO.,LTD.

Phone: +86 28 65003621 | E-mail: sales@miczen.com | Web: www.miczen.com

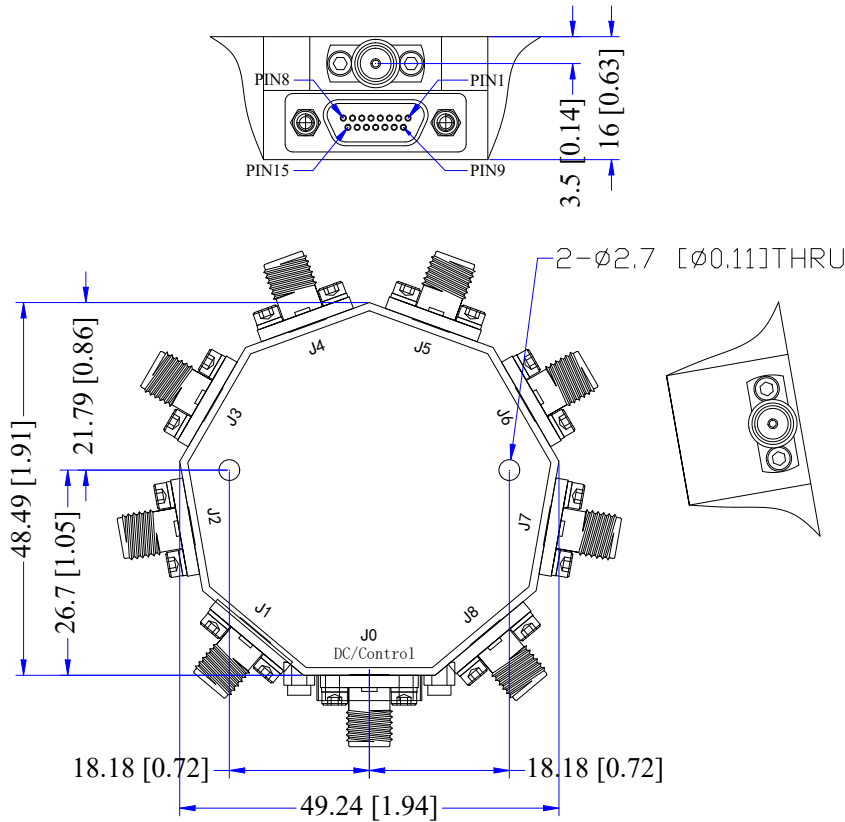
# 0.5-40GHz Broadband Switch

P/N: SP8T005400GB60A



## Outline Drawing

All Dimensions in mm (inches) Tolerance  $\pm 0.25$  (0.01)



MicroD-15P-Female	
1	+5V
2	-5V
3	GND
4	C1
5	C2
6	C3
7	NC
8	NC
9	NC
10	NC
11	NC
12-15	NC

Control Input TTL			Signal Path State
C3	C2	C1	
0	0	0	J0-J1
0	0	1	J0-J2
0	1	0	J0-J3
0	1	1	J0-J4
1	0	0	J0-J5
1	0	1	J0-J6
1	1	0	J0-J7
1	1	1	J0-J8

TTL Control Voltages & VDD	
Stage	Bias Condition
VDD	+5V ( $\pm 5\%$ )
VEE	-5V ( $\pm 5\%$ )
Low(0)	0 to 0.8Vdc
High(1)	2.0 to +5.0Vdc

### NOTE:

1. The product is designed to meet environmental ratings but not tested. If you need to test environmental condition, please contact our sales department.
2. Miczen technologies co., Ltd. reserves the right to change the above information without notice.

MICZEN THCNOLOGIES CO.,LTD.

Phone: +86 28 65003621 | E-mail: sales@miczen.com | Web: www.miczen.com