

6-18GHz 5W Power Amplifier

P/N: MZPA0618GA5W



Description:

The power amplifier is a 5W power amplifier with a typical small signal gain of 35 dB across the frequency range of 6 to 18 GHz. The typical output power P-1 35dBm. The DC power requirement for the amplifier is +12 VDC/5.5 A. Accept customization according to different needs.



- Radar Systems
- Communication Systems
- Receivers Systems

Electrical Specifications (+25°C) :

Parameter	Min.	Typ.	Max.	Units
Frequency Range		6-18		GHz
Gain	35			dB
Gain Flatness		±1.5	±2.5	dB
Input VSWR		1.5	2.0	-
Output VSWR		1.5	2.0	-
Output Power for (P1dB)		35		dBm
Output Power Psat	37			dBm
Spurious		-60		dBc
Input Max Power(no damage)			10	dBm
DC Current (Vcc=+12V)(@Pout=5W)		5.5		A
Impedance		50		Ω
Input/Output Connector		SMA-K/SMA-K		
Material		Aluminium		
Weight		300g		
Package Sealing		55*50*12mm		

Environmental Specifications:

- ※ Operational Temperature -25°C~+85°C
- ※ Storage Temperature -55°C~+125°C



OBSERVE
PRECAUTIONS ELECTROSTATIC
SENSITIVE DEVICES

MICZEN THCHNOLOGIES CO.,LTD.

Phone: +86 28 65003621 | E-mail: sales@miczen.com | Web: www.miczen.com

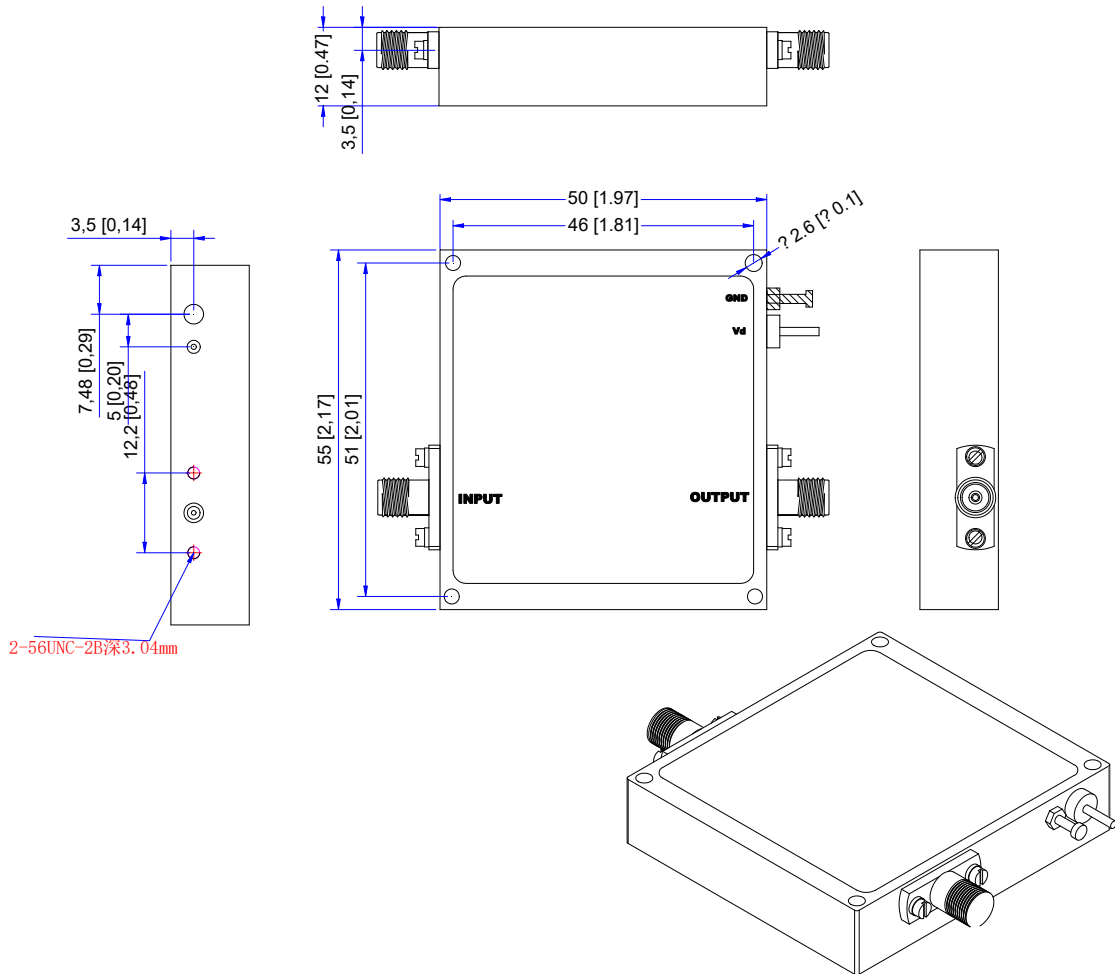
6-18GHz 5W Power Amplifier

P/N: MZPA0618GA5W



■ Outline Drawing

All Dimensions in mm (inches) Tolerance ± 0.25 (0.01)



*****Heat Sink required during operation*****

NOTE:

1. The product is designed to meet environmental ratings but not tested. If you need to test environmental condition, please contact our sales department.
2. Miczen technologies co., Ltd. reserves the right to change the above information without notice.

MICZEN THCHNOLOGIES CO.,LTD.

Phone: +86 28 65003621 | E-mail: sales@miczen.com | Web: www.miczen.com