

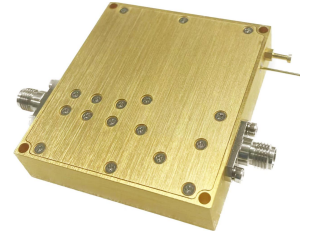
6-12GHz 4W Power Amplifier

P/N: QLPA0612GA4W



Description:

The power amplifier is a 4W power amplifier with a typical small signal gain of 30 dB across the frequency range of 6 to 12 GHz. The typical output power P-1 37dBm. The DC power requirement for the amplifier is +12 VDC/2.3 A. Accept customization according to different needs.



- Radar Systems
- Communication Systems
- Receivers Systems

Electrical Specifications (+25°C) :

Parameter	Min.	Typ.	Max.	Units
Frequency Range		6-12		GHz
Gain	30			dB
Gain Flatness		±1.5	±2.5	dB
Input VSWR		1.5	2.0	-
Output VSWR		1.5	2.0	-
Output Power for (P1dB)	36	37		dBm
Output Power Psat		38		dBm
Noise Figure		6	8	dB
Spurious		-60		dBc
Input Max Power(no damage)			12	dBm
DC Current (Vcc=+12V)(@Pout=4W)		2.3	2.5	A
Impedance		50		Ω
Input/Output Connector		SMA-K/SMA-K		
Material		Aluminium/Gold Plating		
Weight		58g		
Package Sealing		General Sealing (Standard)		

Environmental Specifications:

- ※ Operational Temperature -45°C~+85°C
- ※ Storage Temperature -55°C~+125°C



OBSERVE
PRECAUTIONS ELECTROSTATIC
SENSITIVE DEVICES

MICZEN THCHNOLOGIES CO.,LTD.

Phone: +86 28 65003621 | E-mail: sales@miczen.com | Web: www.miczen.com

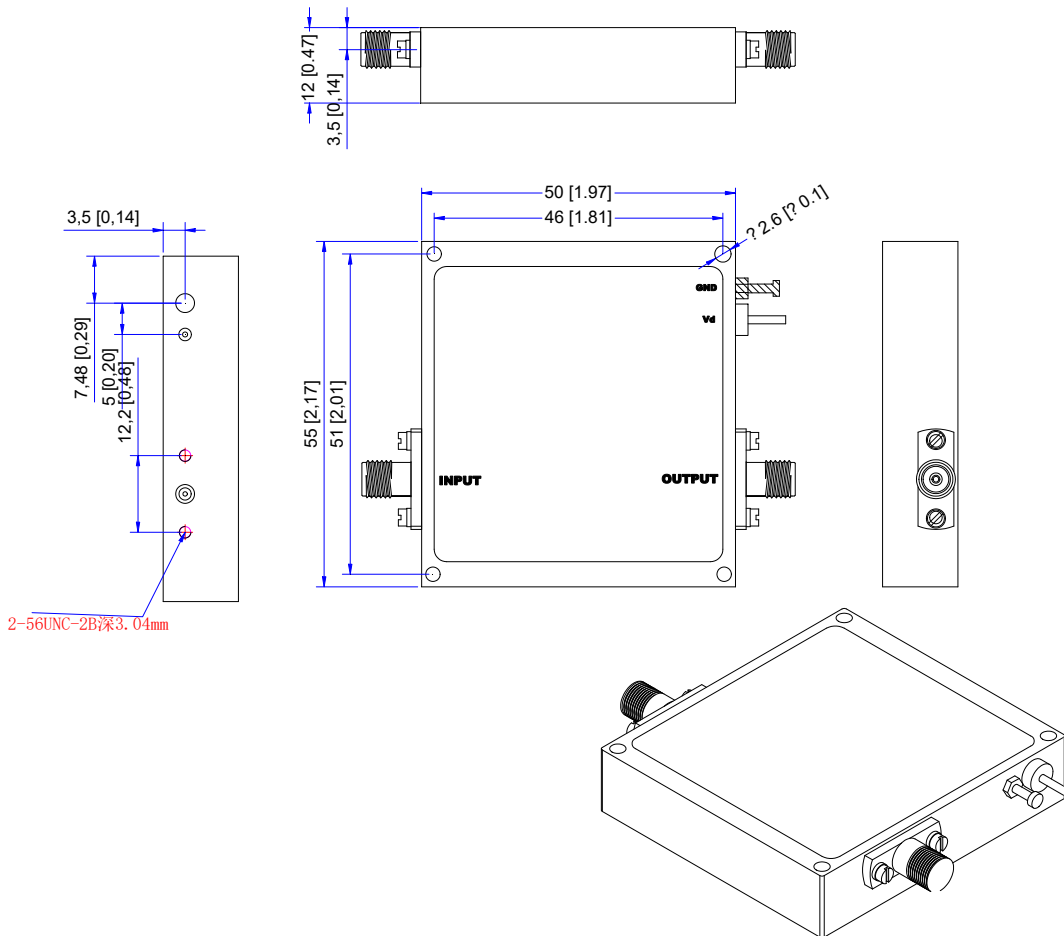
6-12GHz 4W Power Amplifier

P/N: QLPA0612GA4W



■ Outline Drawing

All Dimensions in mm (inches) Tolerance ± 0.25 (0.01)



*****Heat Sink required during operation*****

NOTE:

1. The product is designed to meet environmental ratings but not tested. If you need to test environmental condition, please contact our sales department.
2. Miczen technologies co., Ltd. reserves the right to change the above information without notice.

MICZEN THCHNOLOGIES CO.,LTD.

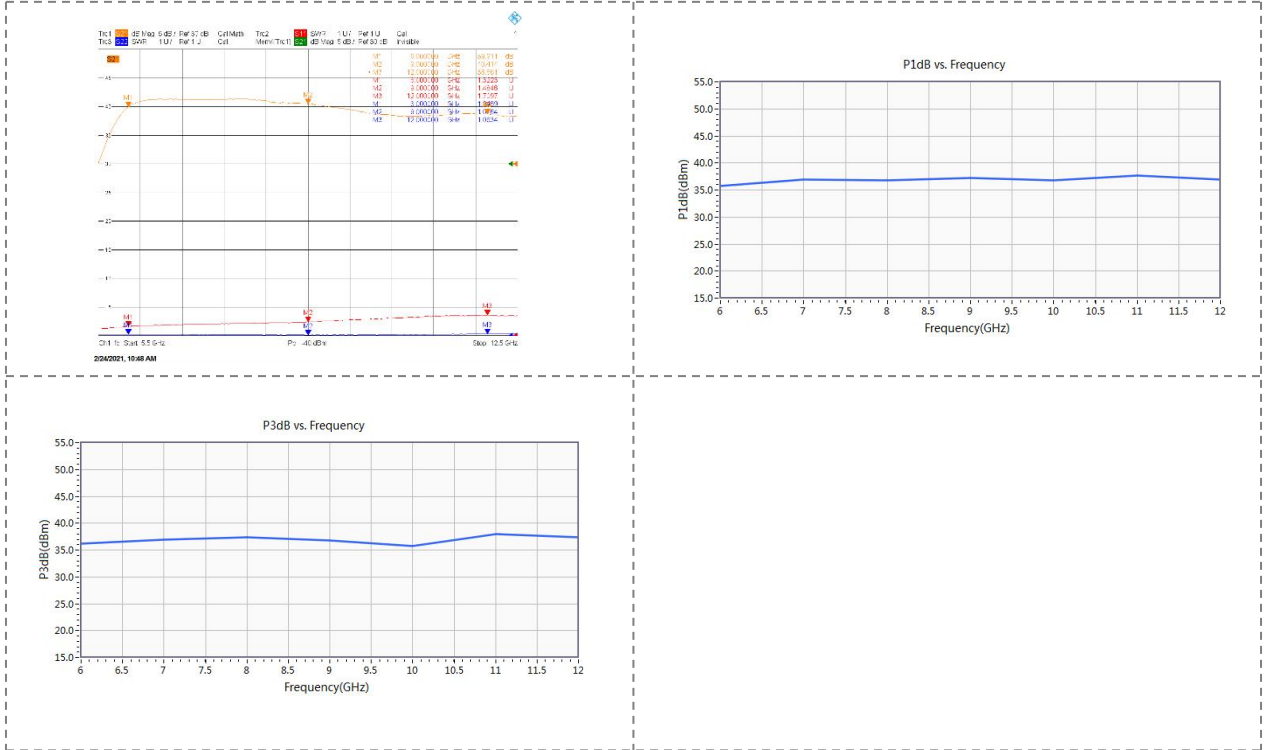
Phone: +86 28 65003621 | E-mail: sales@miczen.com | Web: www.miczen.com

6-12GHz 4W Power Amplifier

P/N: QLPA0612GA4W



Performance Plot



MICZEN THCNOLOGIES CO.,LTD.

Phone: +86 28 65003621 | E-mail: sales@miczen.com | Web: www.miczen.com