

# 19.9-21.4GHz 1W Power Amplifier

P/N: PA199214GA1W



## Description:

The power amplifier is a power amplifier with a typical small signal gain of 25 dB across the frequency range of 12 to 18 GHz. The typical output power P-1 30 dBm. The DC power requirement for the amplifier is +12 VDC/2 A. Accept customization according to different needs.



- Radar Systems
- Communication Systems
- Receivers Systems

## Electrical Specifications ( +25°C ) :

Parameter	Min.	Typ.	Max.	Units
Frequency Range		19.9-21.4		GHz
Gain	20	26		dB
Gain Flatness		±1		dB
Input VSWR		1.8	2.0	-
Output VSWR		1.8	2.0	-
Output Power for (P1dB)	30			dBm
Output Power Psat		31		dBm
Spurious		-60		dBc
Input Max Power(no damage)			10	dBm
DC Current (Vcc=+12V)(@Pout=1W)		0.6	1	A
Impedance		50		Ω
Input/Output Connector		SMA-Female/SMA-Female		
Material		Aluminium\Gold Painting		
Weight		-		
Package Sealing		General Sealing (Standard)		

## Environmental Specifications:

- ※ Operational Temperature -25°C~+85°C
- ※ Storage Temperature -55°C~+125°C



OBSERVE  
PRECAUTIONS ELECTROSTATIC  
SENSITIVE DEVICES

MICZEN THCHNOLOGIES CO.,LTD.

Phone: +86 28 65003621 | E-mail: sales@miczen.com | Web: www.miczen.com

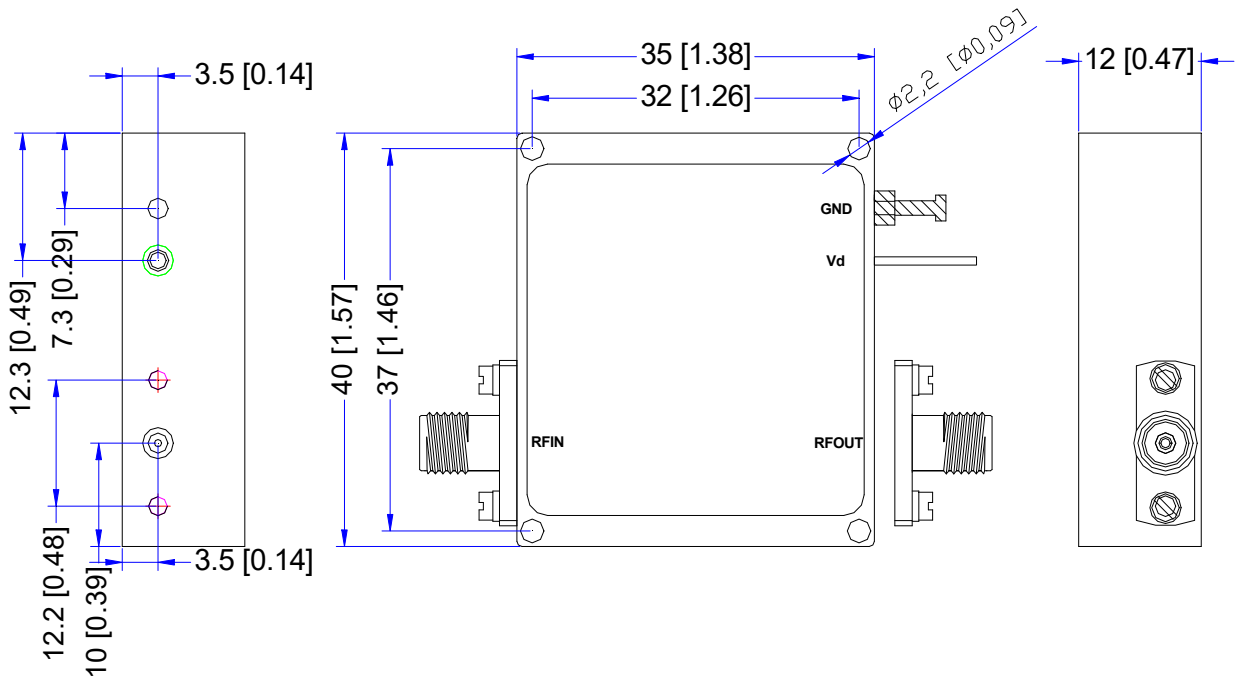
# 19.9-21.4GHz 1W Power Amplifier

P/N: PA199214GA1W



## ■ Outline Drawing

All Dimensions in mm (inches) Tolerance  $\pm 0.25$  (0.01)



**\*\*\*Heat Sink required during operation\*\*\***

### NOTE:

1. The product is designed to meet environmental ratings but not tested. If you need to test environmental condition, please contact our sales department.
2. Miczen technologies co., Ltd. reserves the right to change the above information without notice.

**MICZEN THCHNOLOGIES CO.,LTD.**

Phone: +86 28 65003621 | E-mail: sales@miczen.com | Web: www.miczen.com