

18-65GHz Power Amplifier

P/N: PA1865GA30



Description:

The amplifier is a power amplifier with a typical small signal gain of 30 dB and a typical noise figure of 6 dB across the frequency range of 18 to 65 GHz. The typical output power P-1 5 dBm. The DC power requirement for the amplifier is +12 VDC/300 mA. Accept customization according to different needs.



- Radar Systems
- Communication Systems
- Receivers Systems

Electrical Specifications (+25°C) :

Parameter	Min.	Typ.	Max.	Units
Frequency Range		18-65		GHz
Gain		30		dB
Gain Flatness		±3		dB
Input VSWR		3.0		-
Output VSWR		3.0		-
Output Power for (P1dB)	5	10		dBm
Output Power Psat		13		dBm
Spurious		-60		dBc
Noise Figure		7.0		dB
Output IP3		23		dBm
Input Max Power(no damage)			-15	dBm
DC Current (Vcc=+12V)		500		mA
Impedance		50		Ω
Input/Output Connector	1.85mm-Female/1.85mm-Female			
Material	Aluminium\Gold Painting			
Weight	50g			
Package Sealing	General Sealing (Standard)			

Environmental Specifications:

- ※ Operational Temperature -25°C~+85°C
- ※ Storage Temperature -55°C~+125°C



OBSERVE
PRECAUTIONS ELECTROSTATIC
SENSITIVE DEVICES

MICZEN THCHNOLOGIES CO.,LTD.

Phone: +86 28 65003621 | E-mail: sales@miczen.com | Web: www.miczen.com

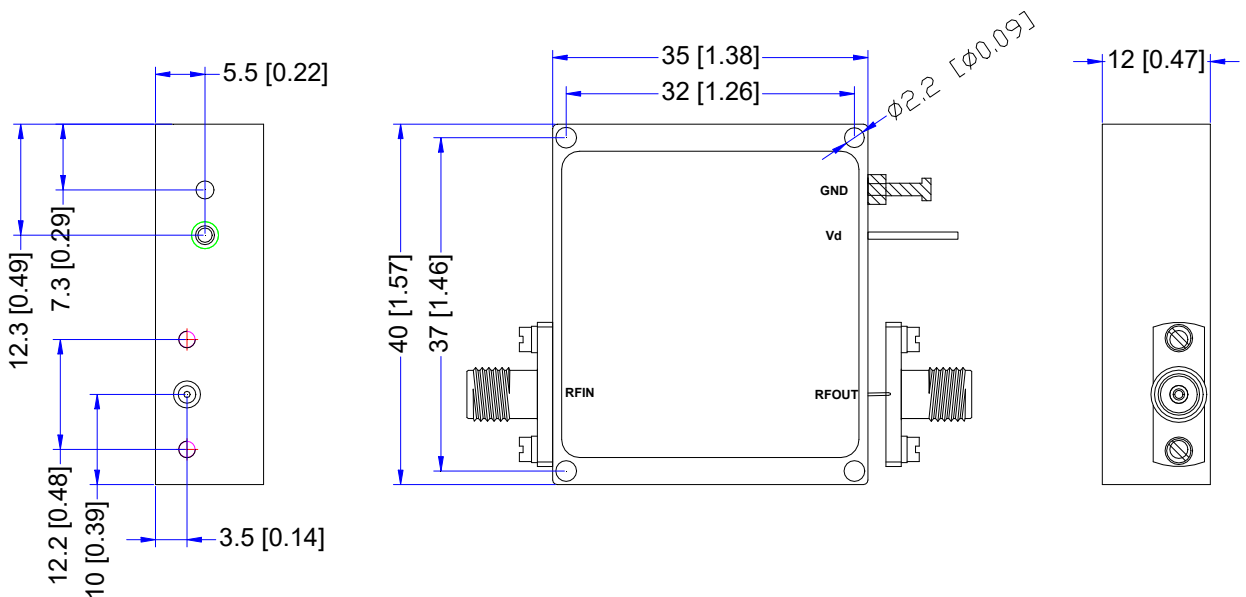
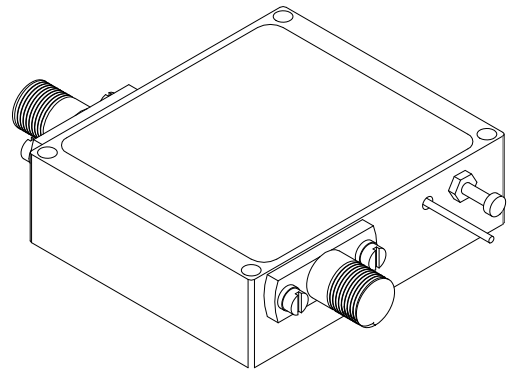
18-65GHz Power Amplifier

P/N: PA1865GA30



■ Outline Drawing

All Dimensions in mm (inches) Tolerance ± 0.25 (0.01)



*****Heat Sink required during operation*****

NOTE:

1. The product is designed to meet environmental ratings but not tested. If you need to test environmental condition, please contact our sales department.
2. Miczen technologies co., Ltd. reserves the right to change the above information without notice.

MICZEN THCHNOLOGIES CO.,LTD.

Phone: +86 28 65003621 | E-mail: sales@miczen.com | Web: www.miczen.com