

# 9-9.6GHz 0.5W Power Amplifier

P/N: PA090096GA0.5W



## Description:

The power amplifier is a 0.5W power amplifier with a typical small signal gain of 31 dB across the frequency range of 9 to 9.6 GHz. The typical output power P-1 26dBm. The DC power requirement for the amplifier is +12 VDC/0.9 A. Accept customization according to different needs.



- Radar Systems
- Communication Systems
- Receivers Systems

## Electrical Specifications ( +25°C ) :

Parameter	Min.	Typ.	Max.	Units
Frequency Range		9-9.6		GHz
Gain	26	31		dB
Gain Flatness			±1	dB
Input VSWR		1.8	2.0	-
Output VSWR		1.8	2.5	-
Output Power for (P1dB)	26			dBm
Output Power Psat		27		dBm
Spurious		-60		dBc
Noise Figure		3.8		dB
Input Max Power(no damage)			5	dBm
DC Current (Vcc=+12V)		0.9		A
Impedance		50		Ω
Input/Output Connector		SMA-F/SMA-F		
Material		Aluminium\Gold Painting		
Weight		-		
Package Sealing		General Sealing (Standard)		

## Environmental Specifications:

- ※ Operational Temperature -25°C~+85°C
- ※ Storage Temperature -55°C~+125°C



OBSERVE  
PRECAUTIONS ELECTROSTATIC  
SENSITIVE DEVICES

MICZEN THCHNOLOGIES CO.,LTD.

Phone: +86 28 65003621 | E-mail: sales@miczen.com | Web: www.miczen.com

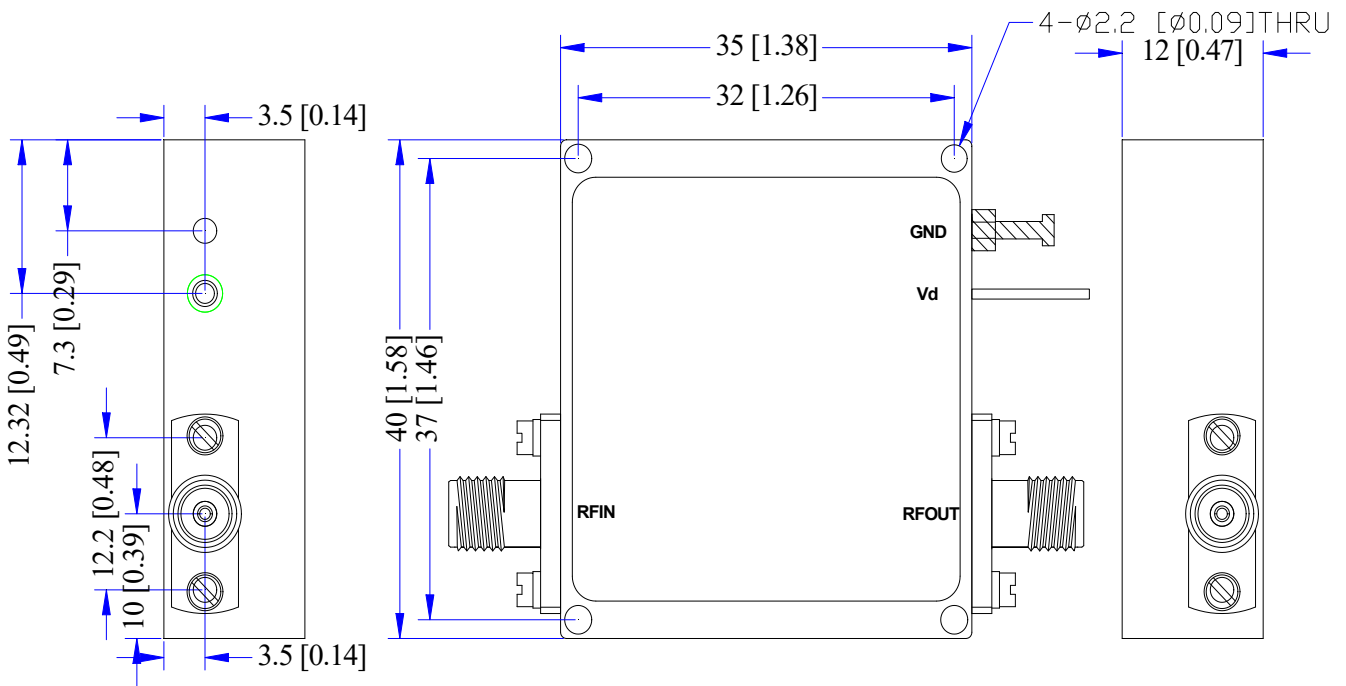
# 9-9.6GHz 0.5W Power Amplifier

P/N: PA090096GA0.5W



## ■ Outline Drawing

All Dimensions in mm (inches) Tolerance  $\pm 0.25$  (0.01)



**\*\*\*Heat Sink required during operation\*\*\***

### NOTE:

1. The product is designed to meet environmental ratings but not tested. If you need to test environmental condition, please contact our sales department.
2. Miczen technologies co., Ltd. reserves the right to change the above information without notice.

MICZEN THCHNOLOGIES CO.,LTD.

Phone: +86 28 65003621 | E-mail: sales@miczen.com | Web: www.miczen.com