

1-10GHz Power Amplifier

P/N: PA0110GA0.3W



Description:

The amplifier is a low noise amplifier with a typical small signal gain of 27 dB and a typical noise figure of 2.2 dB across the frequency range of 1 to 10 GHz. The typical output power P-1 26dBm. The DC power requirement for the amplifier is +12 VDC/500 mA. Accept customization according to different needs.



- Radar Systems
- Communication Systems
- Receivers Systems

Electrical Specifications (+25°C) :

Parameter	Min.	Typ.	Max.	Units
Frequency Range		1-10		GHz
Gain		27		dB
Gain Flatness		±2.5		dB
Input VSWR			2.2	-
Output VSWR			2.2	-
Output Power for (P1dB)	25	26		dBm
Output Power Psat	26	27		dBm
Spurious		-60		dBc
Noise Figure		2.2	2.5	dB
Input Max Power(no damage)			5	dBm
DC Voltage(+12V)		500		mA
Impedance		50		Ω
Input/Output Connector		SMA-Female/SMA-Female		
Material		Aluminium/Gold Painting		
Weight		-		
Package Sealing		General Sealing (Standard)		

Environmental Specifications:

- ※ Operational Temperature 0°C~+70°C
- ※ Storage Temperature -55°C~+125°C



OBSERVE
PRECAUTIONS ELECTROSTATIC
SENSITIVE DEVICES

MICZEN THCHNOLOGIES CO.,LTD.

Phone: +86 28 65003621 | E-mail: sales@miczen.com | Web: www.miczen.com

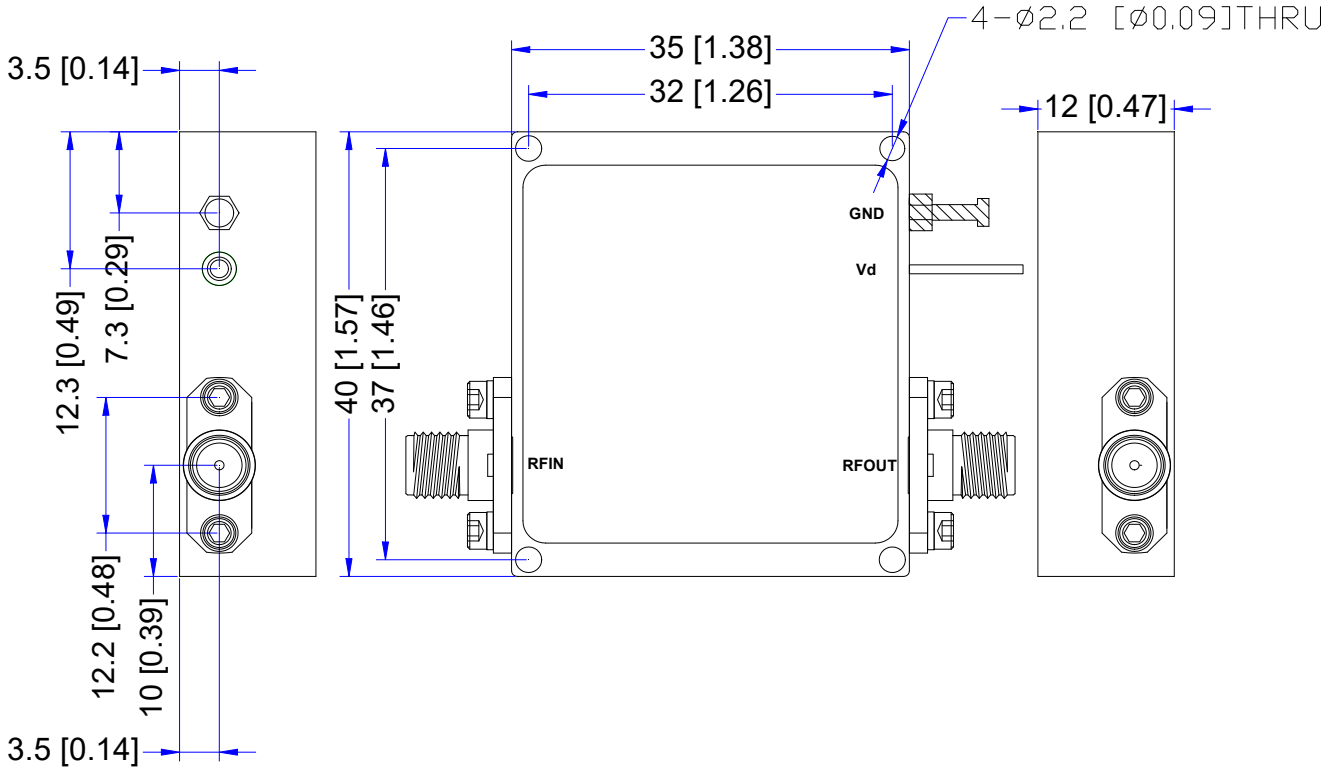
1-10GHz Power Amplifier

P/N: PA0110GA0.3W



■ Outline Drawing

All Dimensions in mm (inches) Tolerance ± 0.25 (0.01)



*****Heat Sink required during operation*****

NOTE:

1. The product is designed to meet environmental ratings but not tested. If you need to test environmental condition, please contact our sales department.
2. Miczen technologies co., Ltd. reserves the right to change the above information without notice.

MICZEN THCHNOLOGIES CO.,LTD.

Phone: +86 28 65003621 | E-mail: sales@miczen.com | Web: www.miczen.com