

# 0.5-40GHz 2way Power Divider

P/N: P2005400GB



## Description:

The power divider is a 2way power divider with a typical Loss insertion of 4.2 dB and a typical isolation of 15dB across the frequency range of 0.5 to 40 GHz. The power divider can handling power 10W. Accept customization according to different needs.



- Radar Systems
- Communication Systems
- Receivers Systems

## Electrical Specifications ( +25°C ) :

Parameter	Min.	Typ.	Max.	Units
Frequency Range		0.5-40		GHz
Insertion Loss		4.2	4.8	dB
Isolation (@0.5-0.7GHz)	14			dB
Isolation (@0.7-40GHz)	17	18		dB
Input VSWR			1.6	-
Output VSWR			1.6	-
Phase Unbalance			±6	°
Amplitude Unbalance			±0.5	dB
Power Rating		10		W
Impedance		50		Ω
Connector		2.92-Female		
Material		Aluminum		
Weight		140g		
Package Sealing		Blue paint(Standard)		

## Environmental Specifications:

- ※ Operational Temperature -45°C~+85°C
- ※ Storage Temperature -55°C~+105°C



OBSERVE  
PRECAUTIONS ELECTROSTATIC  
SENSITIVE DEVICES

MICZEN THCHNOLOGIES CO.,LTD.

Phone: +86 28 65003621 | E-mail: sales@miczen.com | Web: www.miczen.com

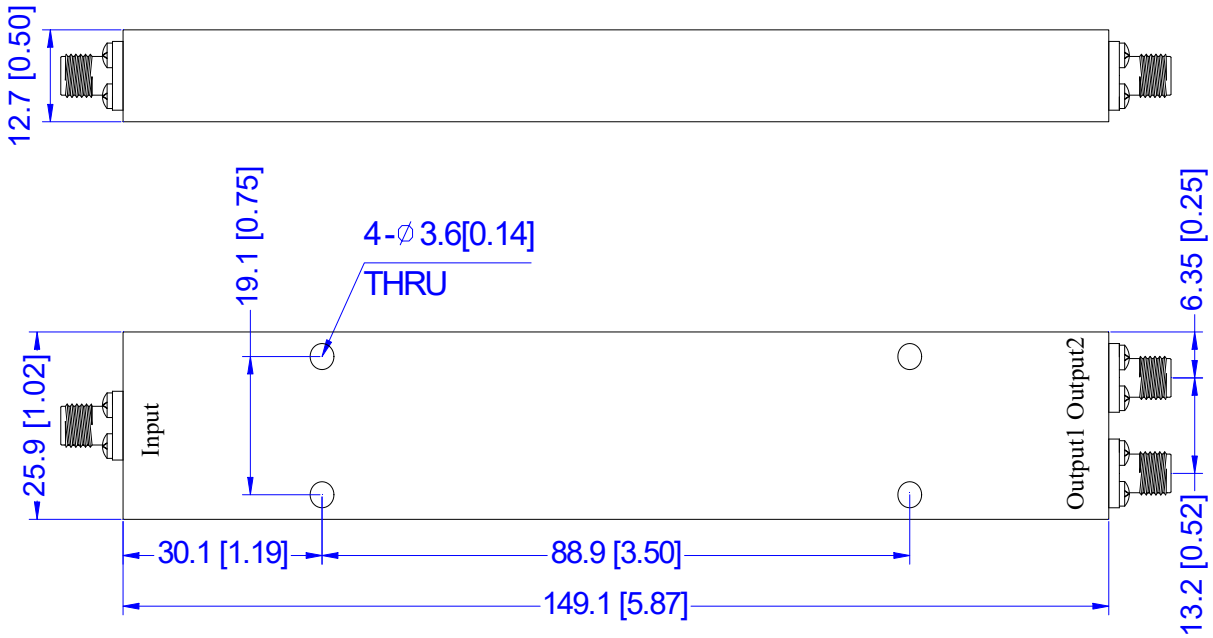
# 0.5-40GHz 2way Power Divider

P/N: P2005400GB



## ■ Outline Drawing

All Dimensions in mm (inches) Tolerance  $\pm 0.25$  (0.01)



### NOTE:

1. The product is designed to meet environmental ratings but not tested. If you need to test environmental condition, please contact our sales department.
2. Miczen technologies co., Ltd. reserves the right to change the above information without notice.

MICZEN THCNOLOGIES CO.,LTD.

Phone: +86 28 65003621 | E-mail: sales@miczen.com | Web: www.miczen.com