

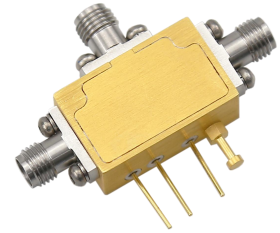
8-12GHz Broadband Switch

P/N: MZSPDT0812GR1



Description:

The switch is a broadband PIN switch with a typical Loss insertion of 1.9 dB and a high isolation of 80dB across the frequency range of 8 to 12 GHz. The typical switch speed 50ns. The DC power requirement for the switch is +/-5 V/50 mA. Accept customization according to different needs.



- Radar Systems
- Communication Systems
- Receivers Systems

Electrical Specifications (+25°C) :

Parameter	Min.	Typ.	Max.	Units
Frequency Range		8-12		GHz
Insertion Loss			1.9	dB
Isolation	80			dB
Input VSWR			1.6	-
Output VSWR			1.6	-
Switch Speed			50	ns
RF Input Power			30	dBm
Power Handling			27	dBm
IIP3		65		dBm
DC Current (Vcc=+/-5V)		60		mA
Control Logic TTL		"0"=ON ; "1"=OFF		v
Impedance		50		Ω
Input Output Connector		SMA-female/SMA-female		
Switch Type		Reflective		
Material		Aluminium\Gold Painting		
Weight		-		
Package Sealing		General Sealing (Standard)		

Environmental Specifications:

- ※ Operational Temperature -25°C~+85°C
- ※ Storage Temperature -55°C~+125°C



OBSERVE
PRECAUTIONS ELECTROSTATIC
SENSITIVE DEVICES

MICZEN THCHNOLOGIES CO.,LTD.

Phone: +86 28 65003621 | E-mail: sales@miczen.com | Web: www.miczen.com

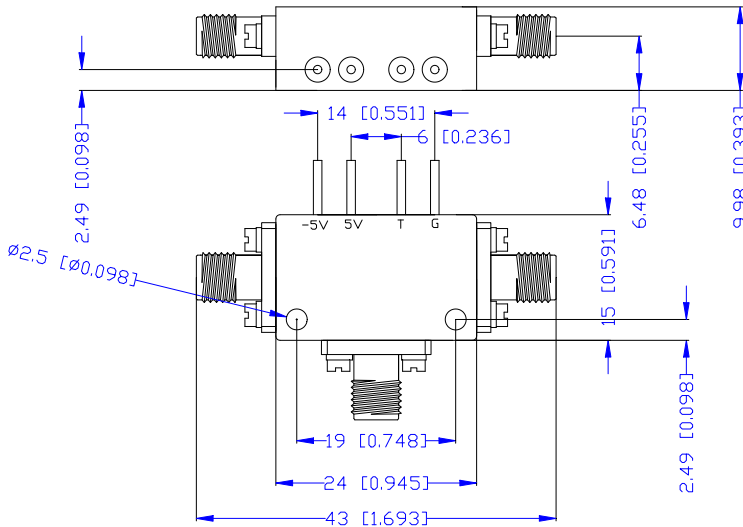
8-12GHz Broadband Switch

P/N: MZSPDT0812GR1



■ Outline Drawing

All Dimensions in mm (inches) Tolerance ± 0.25 (0.01)



Truth Table	
TTL Control Input	Signal Path State
C1	
0	J0-J1
1	J0-J2

TTL Control Voltages &VDD	
Stage	Bias Condition
VDD	+5V ($\pm 10\%$)
VEE	-5V ($\pm 10\%$)
Low	0 to 0.8Vdc
High	2.0 to +5.0Vdc

NOTE:

1. The product is designed to meet environmental ratings but not tested. If you need to test environmental condition, please contact our sales department.
2. Miczen technologies co., Ltd. reserves the right to change the above information without notice.

MICZEN THCHNOLOGIES CO.,LTD.

Phone: +86 28 65003621 | E-mail: sales@miczen.com | Web: www.miczen.com

8-12GHz Broadband Switch

P/N: MZSPDT0812GR1



Performance Plot

