

2-18GHz 8way Power combiners

P/N: MZPC80218GA



Description:

The power divider is a 8way power combiners with a typical insertion loss of 2.5 dB and a typical isolation of 15dB across the frequency range of 2 to 18 GHz. The power divider can reach handling power 1W. Accept customization according to different needs.



- Radar Systems
- Communication Systems
- Receivers Systems

Electrical Specifications (+25°C) :

Parameter	Min.	Typ.	Max.	Units
Frequency Range		2-18		MHz
Insertion Loss		2.5	3.0	dB
Isolation	15			dB
Input VSWR			1.5	-
Output VSWR			1.8	-
Phase Unbalance			±10	°
Amplitude Unbalance			±0.8	dB
Power Handling		1		W
Impedance		50		Ω
Input/Output Connector		SMA-male/SMA-Female		
Material		Aluminum		
Weight		-g		
Package Sealing		Black Color		

Environmental Specifications:

- ※ Operational Temperature -45°C~+85°C
- ※ Storage Temperature -55°C~+105°C



OBSERVE
PRECAUTIONS ELECTROSTATIC
SENSITIVE DEVICES

MICZEN THCHNOLOGIES CO.,LTD.

Phone: +86 28 65003621 | E-mail: sales@miczen.com | Web: www.miczen.com

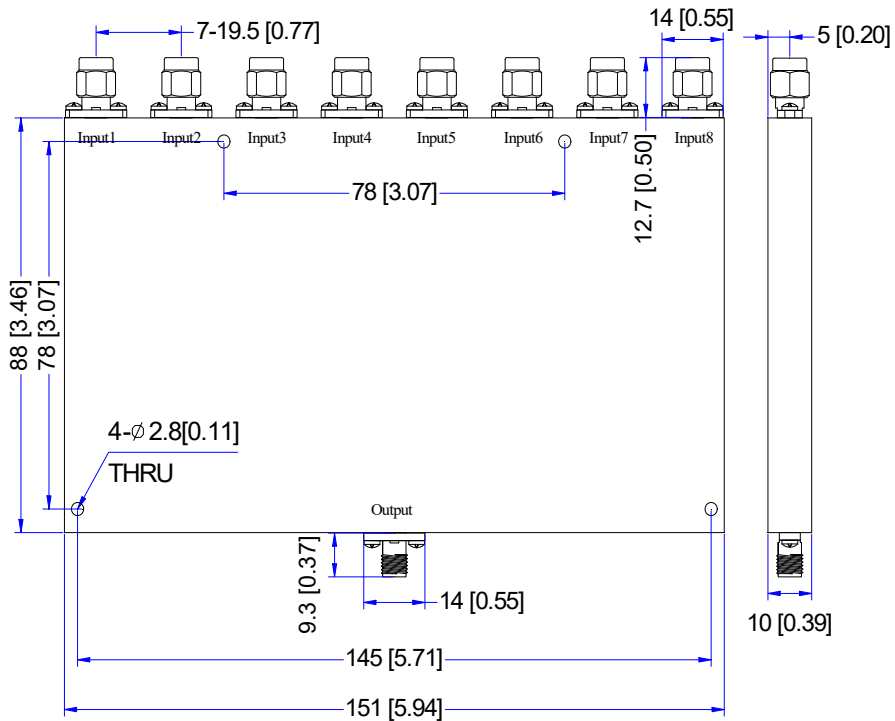
2-18GHz 8way Power combiners

P/N: MZPC80218GA



■ Outline Drawing

All Dimensions in mm (inches) Tolerance ± 0.25 (0.01)



NOTE:

1. The product is designed to meet environmental ratings but not tested. If you need to test environmental condition, please contact our sales department.
2. Miczen technologies co., Ltd. reserves the right to change the above information without notice.

MICZEN THCHNOLOGIES CO.,LTD.

Phone: +86 28 65003621 | E-mail: sales@miczen.com | Web: www.miczen.com