

11.7-12.45GHz 1.6W Power Amplifier

P/N: MZPA1171245GA1.6W



Description:

The power amplifier is a 1.6W power amplifier with a typical small signal gain of 35 dB across the frequency range of 11.7 to 12.45 GHz. The typical output power P-1 33dBm. The DC power requirement for the amplifier is +12 VDC/1.5 A. Accept customization according to different needs.



- Radar Systems
- Communication Systems
- Receivers Systems

Electrical Specifications (+25°C) :

Parameter	Min.	Typ.	Max.	Units
Frequency Range		11.7-12.45		GHz
Gain	33	35		dB
Gain Flatness		±0.5	±1	dB
Input VSWR		1.5	2.0	-
Output VSWR		1.5	2.5	-
Output Power for (P1dB)	32	33		dBm
Output Power Psat		33		dBm
Spurious			-70	dBc
OIP3	40			dBm
Input Max Power(no damage)			5	dBm
DC Current (Vcc=+12V)(@Pout=1.6W)		1.5		A
Impedance		50		Ω
Input/Output Connector		SMA-K/SMA-K		
Material		Aluminium		
Weight		100g		
Package Sealing		General Sealing (Standard)		

Environmental Specifications:

- ※ Operational Temperature -25°C~+85°C
- ※ Storage Temperature -55°C~+125°C



OBSERVE
PRECAUTIONS ELECTROSTATIC
SENSITIVE DEVICES

MICZEN THCHNOLOGIES CO.,LTD.

Phone: +86 28 65003621 | E-mail: sales@miczen.com | Web: www.miczen.com

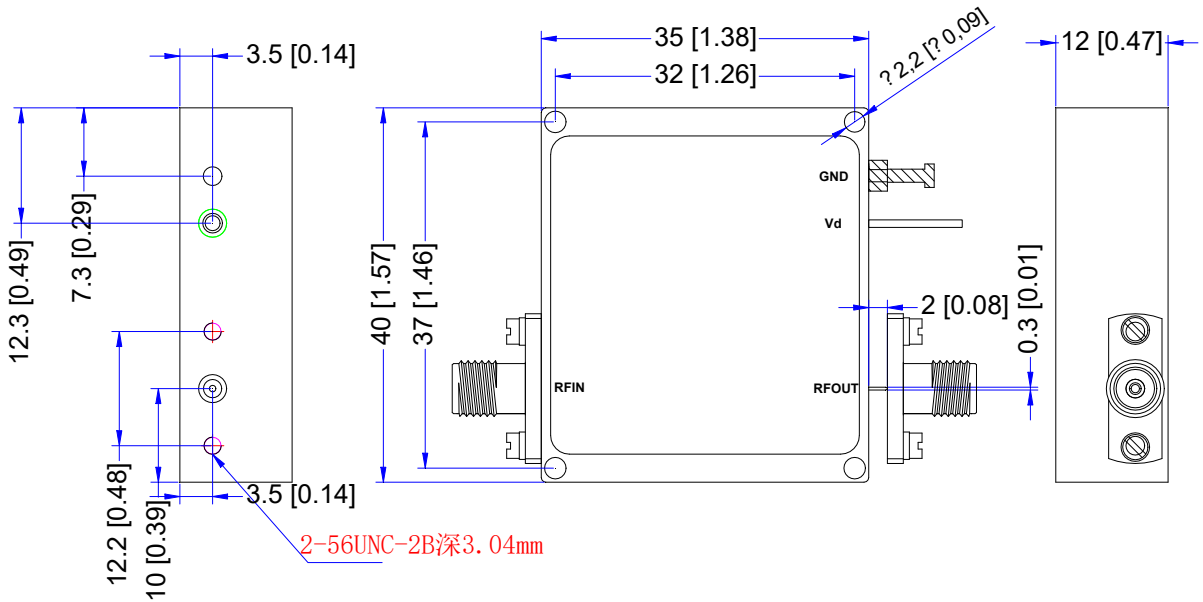
11.7-12.45GHz 1.6W Power Amplifier

P/N: MZPA1171245GA1.6W



■ Outline Drawing

All Dimensions in mm (inches) Tolerance ± 0.25 (0.01)



*****Heat Sink required during operation*****

NOTE:

1. The product is designed to meet environmental ratings but not tested. If you need to test environmental condition, please contact our sales department.
2. Miczen technologies co., Ltd. reserves the right to change the above information without notice.

MICZEN THCHNOLOGIES CO.,LTD.

Phone: +86 28 65003621 | E-mail: sales@miczen.com | Web: www.miczen.com