

18-31GHz 4way Power Divider

P/N: MZP41831GB



Description:

The power divider is a 4way power divider with a typical insertion loss of 1.3 dB and a typical isolation of 15dB across the frequency range of 18 to 31 GHz. The power divider can reach handling power 10W. Accept customization according to different needs.



- Radar Systems
- Communication Systems
- Receivers Systems

Electrical Specifications (+25°C) :

Parameter	Min.	Typ.	Max.	Units
Frequency Range		18-31		GHz
Insertion Loss		1.3	1.6	dB
Isolation	15			dB
Input VSWR			1.8	-
Output VSWR			1.5	-
Phase Unbalance			±6	°
Amplitude Unbalance			±0.4	dB
Forward Power Handle Capability		10		W
Reverse Power Handle Capability		1		W
Impedance		50		Ω
Connector		2.92-Female		
Material		Aluminum		
Weight		60g		
Package Sealing		Black Color(Standard)		

Environmental Specifications:

- ※ Operational Temperature -45°C~+85°C
- ※ Storage Temperature -55°C~+105°C



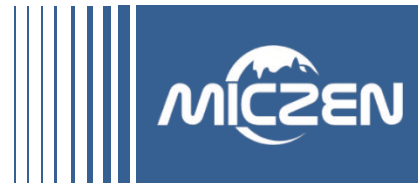
OBSERVE
PRECAUTIONS ELECTROSTATIC
SENSITIVE DEVICES

MICZEN THCHNOLOGIES CO.,LTD.

Phone: +86 28 65003621 | E-mail: sales@miczen.com | Web: www.miczen.com

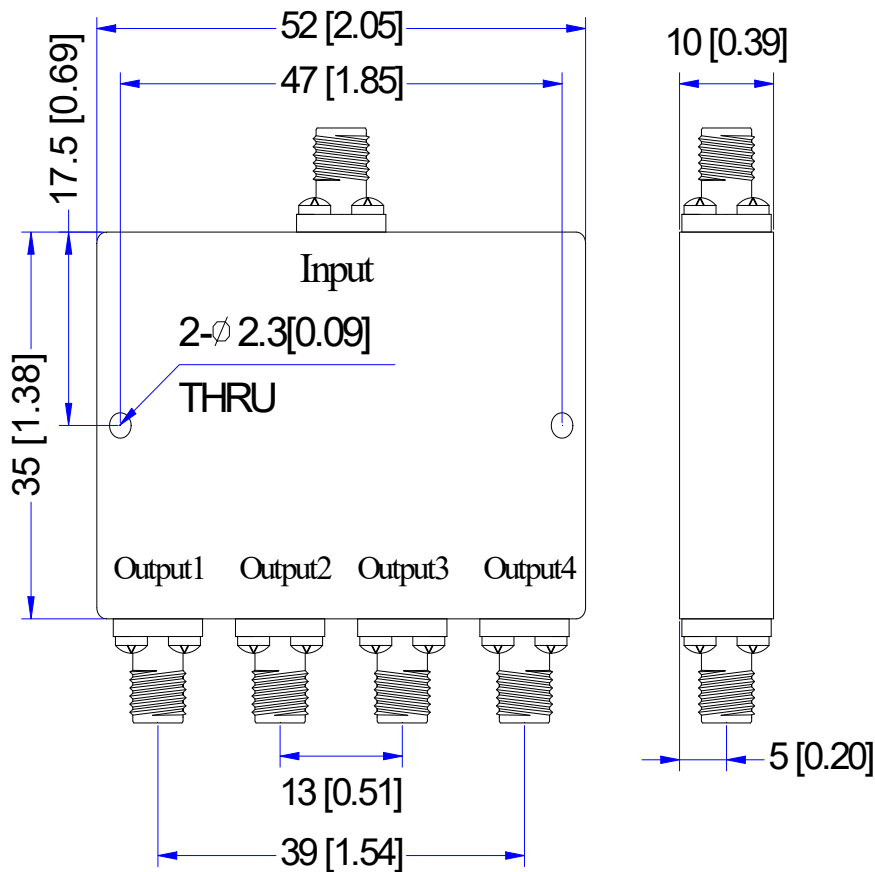
18-31GHz 4way Power Divider

P/N: MZP41831GB



■ Outline Drawing

All Dimensions in mm (inches) Tolerance ± 0.25 (0.01)



NOTE:

1. The product is designed to meet environmental ratings but not tested. If you need to test environmental condition, please contact our sales department.
2. Miczen technologies co., Ltd. reserves the right to change the above information without notice.

MICZEN THCHNOLOGIES CO.,LTD.

Phone: +86 28 65003621 | E-mail: sales@miczen.com | Web: www.miczen.com