

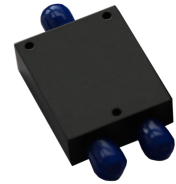
7-9GHz 2way Power Divider

P/N: MZP20709GA



Description:

The power divider is a 2way power divider with a typical insertion loss of 0.2 dB and a typical isolation of 21dB across the frequency range of 7 to 9 GHz. The power divider can reach handling power 20W. Accept customization according to different needs.



- Radar Systems
- Communication Systems
- Receivers Systems

Electrical Specifications (+25°C) :

Parameter	Min.	Typ.	Max.	Units
Frequency Range		7-9		GHz
Insertion Loss		0.4	0.5	dB
Isolation	20	21		dB
Input VSWR			1.3	-
Output VSWR			1.2	-
Phase Unbalance			±2	°
Amplitude Unbalance			±0.2	dB
Forward Power		20		W
Reverse Power		1		W
Impedance		50		Ω
Connector		SMA-Female		
Material		Aluminum		
Weight		20g		
Package Sealing		Black Color(Standard)		

Environmental Specifications:

- ※ Operational Temperature -45°C~+85°C
- ※ Storage Temperature -55°C~+105°C



OBSERVE
PRECAUTIONS ELECTROSTATIC
SENSITIVE DEVICES

MICZEN THCHNOLOGIES CO.,LTD.

Phone: +86 28 65003621 | E-mail: sales@miczen.com | Web: www.miczen.com

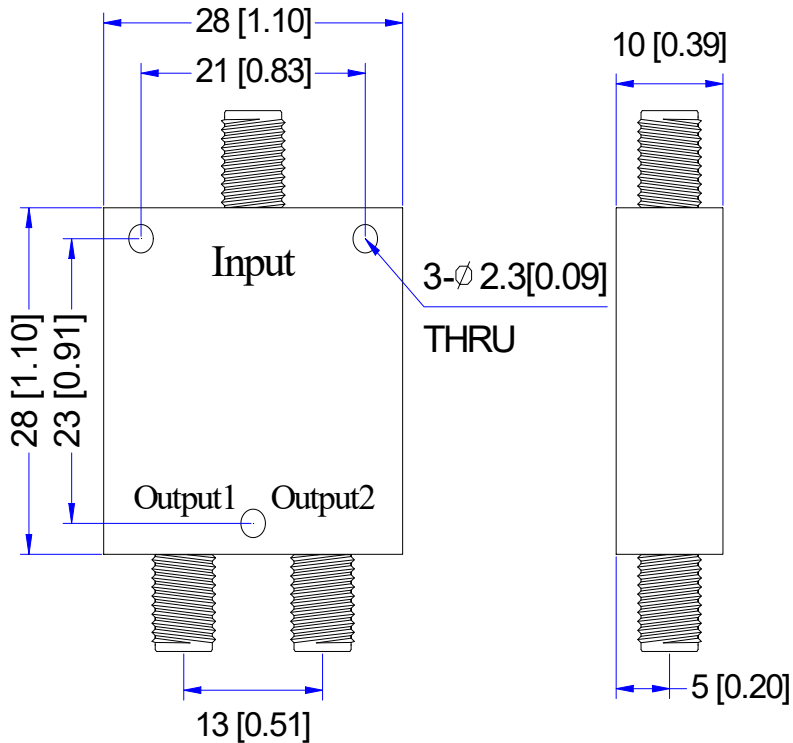
7-9GHz 2way Power Divider

P/N: MZP20709GA



■ Outline Drawing

All Dimensions in mm (inches) Tolerance ± 0.25 (0.01)



NOTE:

1. The product is designed to meet environmental ratings but not tested. If you need to test environmental condition, please contact our sales department.
2. Miczen technologies co., Ltd. reserves the right to change the above information without notice.

MICZEN THCHNOLOGIES CO.,LTD.

Phone: +86 28 65003621 | E-mail: sales@miczen.com | Web: www.miczen.com