

0.5-18GHz 2way Power Divider

P/N: MZP2005180GC



Description:

The power divider is a 2way power divider with a typical insertion loss of 1.5 dB and a typical isolation of 20dB across the frequency range of 0.5 to 18 GHz. The power divider can reach handling power 20W. Accept customization according to different needs.



- Radar Systems
- Communication Systems
- Receivers Systems

Electrical Specifications (+25°C) :

Parameter	Min.	Typ.	Max.	Units
Frequency Range		0.5-18		GHz
Insertion Loss			1.5	dB
Isolation(@0.5-1GHz)	17			dB
Isolation(@1-18GHz)	20			dB
Input VSWR			1.4	-
Output VSWR			1.4	-
Phase Unbalance			±4	°
Amplitude Unbalance			±0.3	dB
Power Handling		20		W
Impedance		50		Ω
Input/Output Connector		SMA-Female		
Material		Aluminum		
Weight		-g		
Package Sealing		Blue Color(Standard)		

Environmental Specifications:

- ※ Operational Temperature -45°C~+85°C
- ※ Storage Temperature -55°C~+105°C



OBSERVE
PRECAUTIONS ELECTROSTATIC
SENSITIVE DEVICES

MICZEN THCHNOLOGIES CO.,LTD.

Phone: +86 28 65003621 | E-mail: sales@miczen.com | Web: www.miczen.com

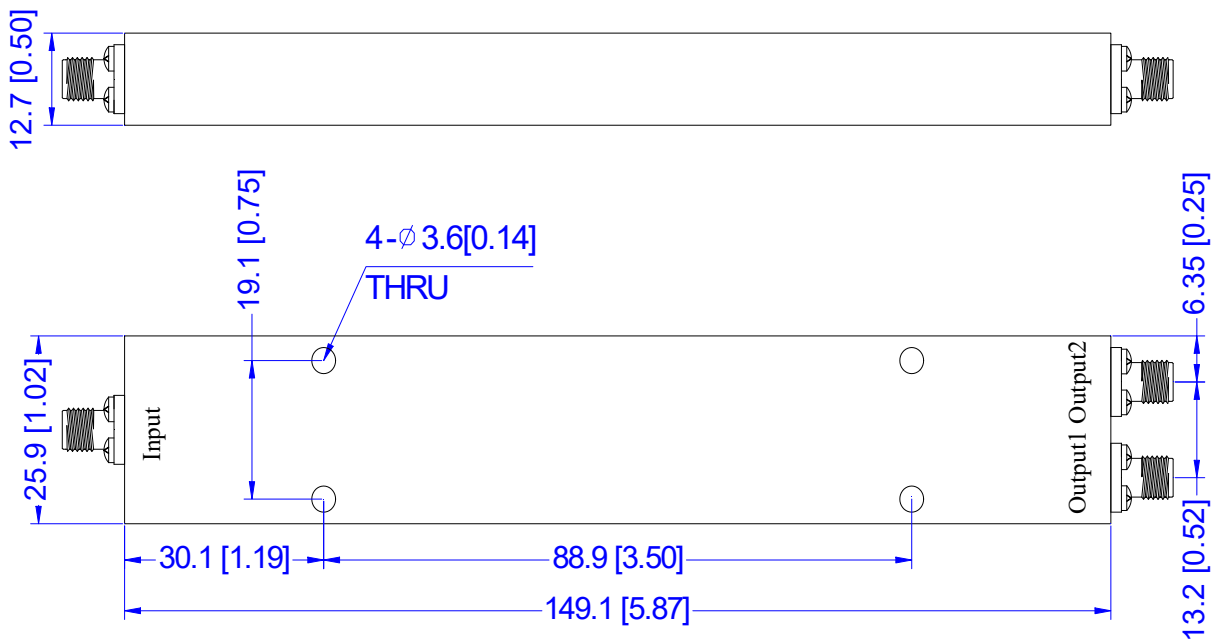
0.5-18GHz 2way Power Divider

P/N: MZP2005180GC



■ Outline Drawing

All Dimensions in mm (inches) Tolerance ± 0.25 (0.01)



NOTE:

1. The product is designed to meet environmental ratings but not tested. If you need to test environmental condition, please contact our sales department.
2. Miczen technologies co., Ltd. reserves the right to change the above information without notice.

MICZEN THCHNOLOGIES CO.,LTD.

Phone: +86 28 65003621 | E-mail: sales@miczen.com | Web: www.miczen.com