

23-31GHz Broadband Power Amplifier

P/N: MZMPA2331GA50



Description:

The power amplifier is a power amplifier with a typical small signal gain of 50 dB across the frequency range of 23 to 31 GHz. The typical output power P-1 18dBm. The DC power requirement for the amplifier is +12 VDC/3 A. Accept customization according to different needs.



- Radar Systems
- Communication Systems
- Receivers Systems

Electrical Specifications (+25°C) :

Parameter	Min.	Typ.	Max.	Units
Frequency Range		23-31		GHz
Gain	50			dB
Gain Flatness		±1.5		dB
Input VSWR		1.8		-
Output VSWR		1.8		-
Output Power for (P1dB)		18		dBm
Output Power Psat		20		dBm
Noise Figure		4.0		dB
Input Max Power(no damage)			-20	dBm
DC Current (Vcc=+12V)		0.3	0.38	A
Impedance		50		Ω
Input/Output Connector		2.92-Female/2.92-Female		
Material		Aluminium\Gold Painting		
Weight		20g		
Package Sealing		General Sealing (Standard)		

Environmental Specifications:

- ※ Operational Temperature -25°C~+85°C
- ※ Storage Temperature -55°C~+125°C



OBSERVE
PRECAUTIONS ELECTROSTATIC
SENSITIVE DEVICES

MICZEN THCHNOLOGIES CO.,LTD.

Phone: +86 28 65003621 | E-mail: sales@miczen.com | Web: www.miczen.com

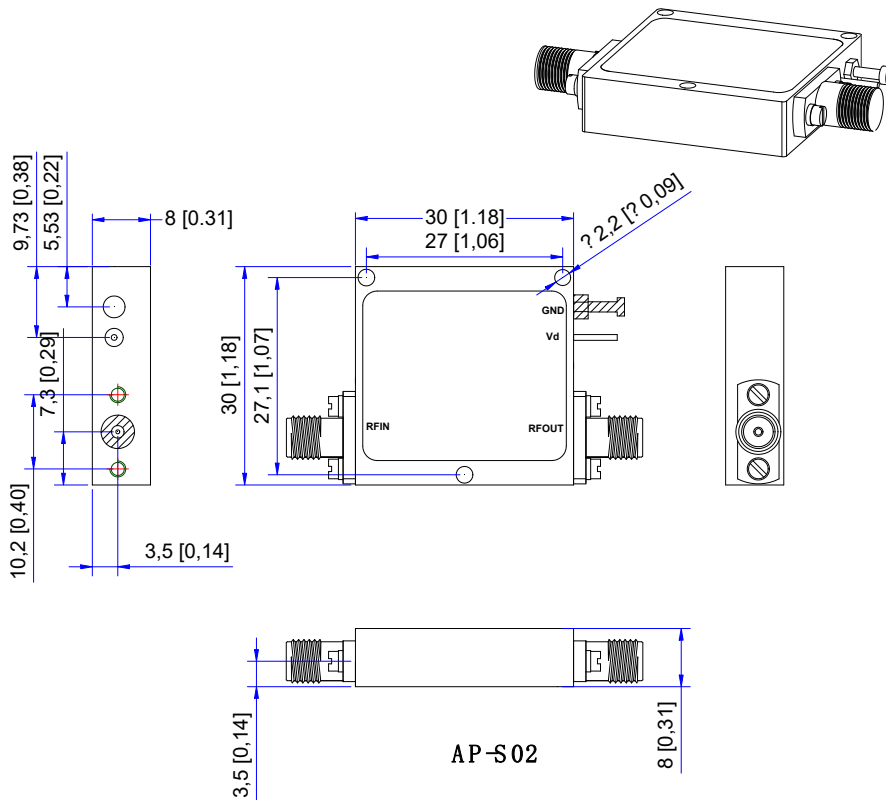
23-31GHz Broadband Power Amplifier

P/N: MZMPA2331GA50



■ Outline Drawing

All Dimensions in mm (inches) Tolerance ± 0.25 (0.01)



*****Heat Sink required during operation*****

NOTE:

1. The product is designed to meet environmental ratings but not tested. If you need to test environmental condition, please contact our sales department.
2. Miczen technologies co., Ltd. reserves the right to change the above information without notice.

MICZEN THCHNOLOGIES CO.,LTD.

Phone: +86 28 65003621 | E-mail: sales@miczen.com | Web: www.miczen.com

23-31GHz Broadband Power Amplifier

P/N: MZMPA2331GA50



Performance Plot

