

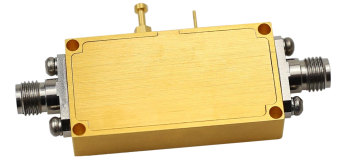
# 27-30GHz Low Noise Amplifier

P/N: MZLNA2730GA30



## Description:

The amplifier is a low noise amplifier with a typical small signal gain of 36 dB and a typical noise figure of 1.5 dB across the frequency range of 27 to 30 GHz. The typical output power P-1 10dBm. The DC power requirement for the amplifier is +5 VDC/150 mA. Accept customization according to different needs.



- Radar Systems
- Communication Systems
- Receivers Systems

## Electrical Specifications ( +25°C ) :

Parameter	Min.	Typ.	Max.	Units
Frequency Range		27-30		GHz
Gain	30	36		dB
Gain Flatness		±0.6	±1.0	dB
Input VSWR		1.5	1.8	-
Output VSWR		1.5	1.8	-
Output Power for (P1dB)	8	10		dBm
Output IP3		21		dBm
Spurious		-60		dBc
Noise Figure		1.5	2.5	dB
Input Max Power(no damage)			-15	dBm
DC Current (Vcc=+5V)		150		mA
Impedance		50		Ω
Input/Output Connector	2.92mm-Female/2.92mm-Female			
Material	Aluminium/Gold Painting			
Weight	100g			
Package Sealing	General Sealing (Standard)			

## Environmental Specifications:

- ※ Operational Temperature -25°C~+85°C
- ※ Storage Temperature -55°C~+125°C



OBSERVE  
PRECAUTIONS ELECTROSTATIC  
SENSITIVE DEVICES

MICZEN THCHNOLOGIES CO.,LTD.

Phone: +86 28 65003621 | E-mail: sales@miczen.com | Web: www.miczen.com

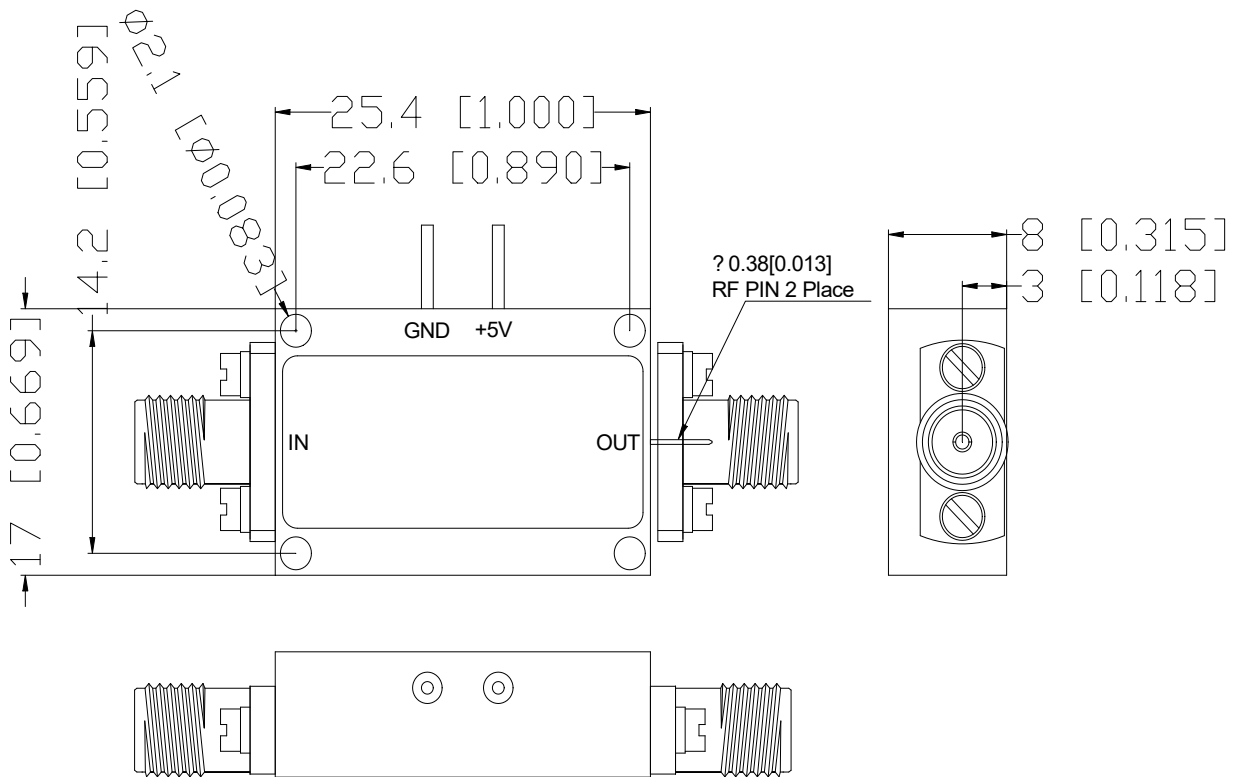
# 27-30GHz Low Noise Amplifier

P/N: MZLNA2730GA30



## ■ Outline Drawing

All Dimensions in mm (inches) Tolerance  $\pm 0.25$  (0.01)



**\*\*\*Heat Sink required during operation\*\*\***

### NOTE:

1. The product is designed to meet environmental ratings but not tested. If you need to test environmental condition, please contact our sales department.
2. Miczen technologies co., Ltd. reserves the right to change the above information without notice.

**MICZEN THCHNOLOGIES CO.,LTD.**

Phone: +86 28 65003621 | E-mail: sales@miczen.com | Web: www.miczen.com