

14-29GHz Low Noise Amplifier

P/N: MZLNA1429GA30



Description:

The amplifier is a low noise amplifier with a typical small signal gain of 32 dB and a typical noise figure of 2.0 dB across the frequency range of 12 to 30 GHz. The typical output power P-1 24dBm. The DC power requirement for the amplifier is +12 VDC/600 mA. Accept customization according to different needs.



- Radar Systems
- Communication Systems
- Receivers Systems

Electrical Specifications (+25°C) :

Parameter	Min.	Typ.	Max.	Units
Frequency Range		14-29		GHz
Gain	30	32		dB
Gain Flatness		±1	±1.5	dB
Input VSWR		1.5	2.0	-
Output VSWR		1.5	2.0	-
Output Power for (P1dB)	21	24		dBm
Output Power Psat		22		dBm
Noise Figure		3		dB
Noise Figure@17-22GHz			3	dB
Output IP3		33		dBm
Input Max Power(no damage)		-5		dBm
DC Current (Vcc=+12V)		600		mA
Impedance		50		Ω
Input/Output Connector		2.92mm-Female		
Material		Aluminium\Gold Painting		
Weight		43g		
Package Sealing		General Sealing (Standard)		

Environmental Specifications:

- ※ Operational Temperature -25°C~+85°C
- ※ Storage Temperature -55°C~+125°C



OBSERVE
PRECAUTIONS ELECTROSTATIC
SENSITIVE DEVICES

MICZEN THCHNOLOGIES CO.,LTD.

Phone: +86 28 65003621 | E-mail: sales@miczen.com | Web: www.miczen.com

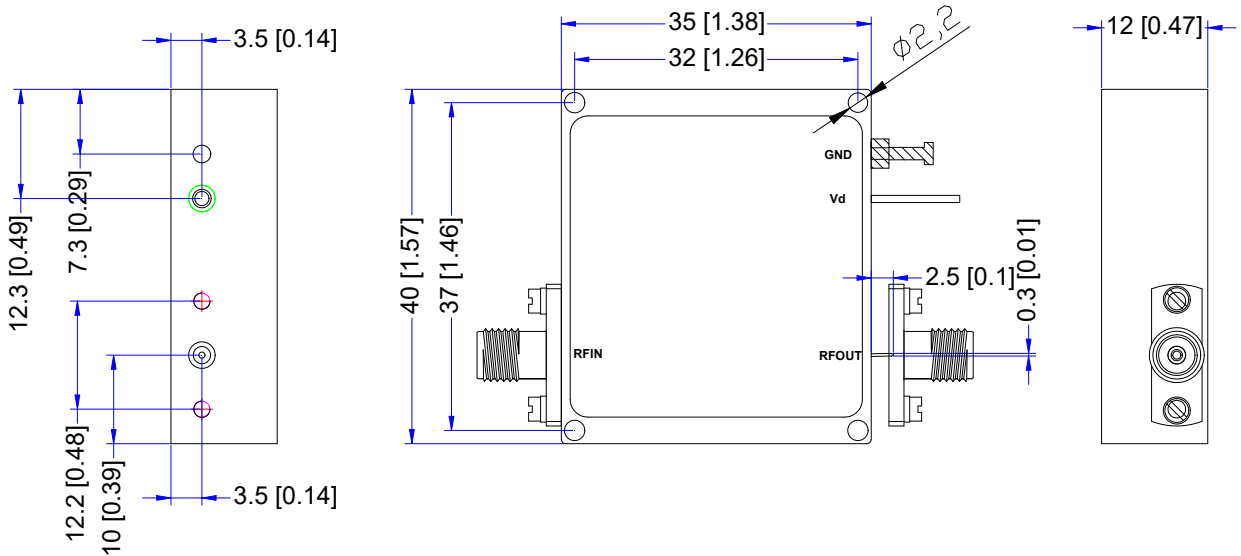
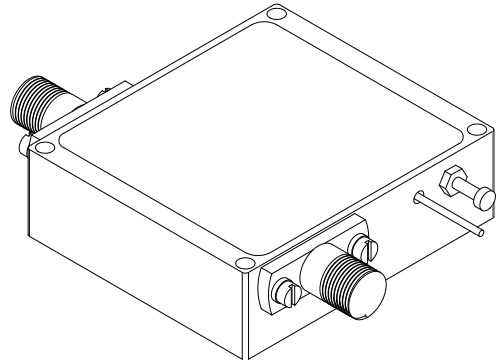
14-29GHz Low Noise Amplifier

P/N: MZLNA1429GA30



■ Outline Drawing

All Dimensions in mm (inches) Tolerance ± 0.25 (0.01)



*****Heat Sink required during operation*****

NOTE:

1. The product is designed to meet environmental ratings but not tested. If you need to test environmental condition, please contact our sales department.
2. Miczen technologies co., Ltd. reserves the right to change the above information without notice.

MICZEN THCHNOLOGIES CO.,LTD.

Phone: +86 28 65003621 | E-mail: sales@miczen.com | Web: www.miczen.com

14-29GHz Low Noise Amplifier

P/N: MZLNA1429GA30



Performance Plot

