

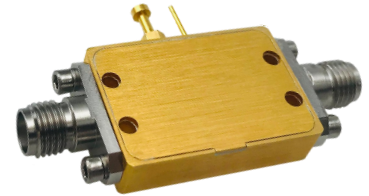
4-8GHz Low Noise Amplifier

P/N: MZLNA0408GB25



Description:

The amplifier is a low noise amplifier with a typical small signal gain of 28 dB and a typical noise figure of 1.0 dB across the frequency range of 4 to 8 GHz. The typical output power P-1 18dBm. The DC power requirement for the amplifier is +15 VDC/150 mA. Accept customization according to different needs.



- Radar Systems
- Communication Systems
- Receivers Systems

Electrical Specifications (+25°C) :

Parameter	Min.	Typ.	Max.	Units
Frequency Range		4-8		GHz
Gain	25	28		dB
Gain Flatness		1.0	2.0	dB
Input VSWR		1.5	2.0	-
Output VSWR		1.5	2.0	-
Output Power for (P1dB)	15	18		dBm
Output Power Psat		18		dBm
Noise Figure		1.0	1.4	dB
Output IP3		25		dBm
Input Max Power(no damage)			-10	dBm
DC Current (Vcc=+15V)		150		mA
Impedance		50		Ω
Input/Output Connector		SMA-K/SMA-K		
Material		Copper/Gold Painting		
Weight		30g		
Package Sealing		General Sealing (Standard)		

Environmental Specifications:

- ※ Operational Temperature -25°C~+85°C
- ※ Storage Temperature -55°C~+125°C



OBSERVE
PRECAUTIONS ELECTROSTATIC
SENSITIVE DEVICES

MICZEN THCHNOLOGIES CO.,LTD.

Phone: +86 28 65003621 | E-mail: sales@miczen.com | Web: www.miczen.com

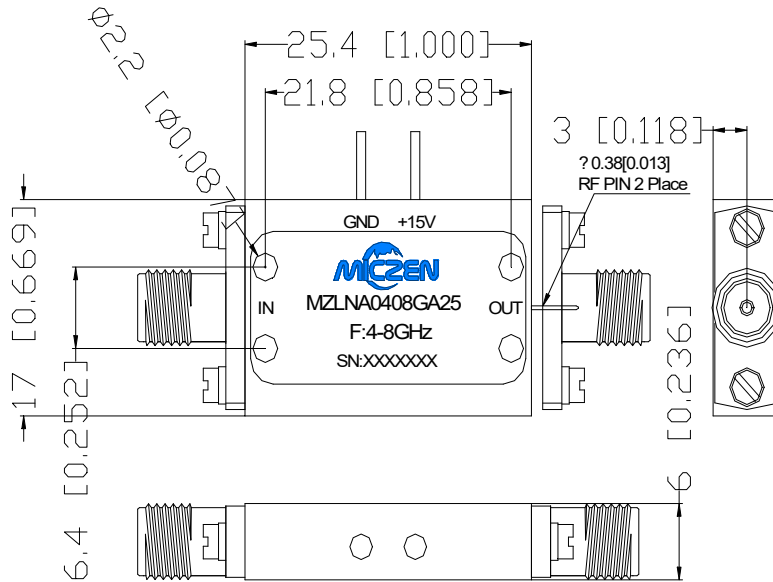
4-8GHz Low Noise Amplifier

P/N: MZLNA0408GB25



■ Outline Drawing

All Dimensions in mm (inches) Tolerance ± 0.25 (0.01)



*****Heat Sink required during operation*****

NOTE:

1. The product is designed to meet environmental ratings but not tested. If you need to test environmental condition, please contact our sales department.
2. Miczen technologies co., Ltd. reserves the right to change the above information without notice.

MICZEN THCNOLOGIES CO.,LTD.

Phone: +86 28 65003621 | E-mail: sales@miczen.com | Web: www.miczen.com

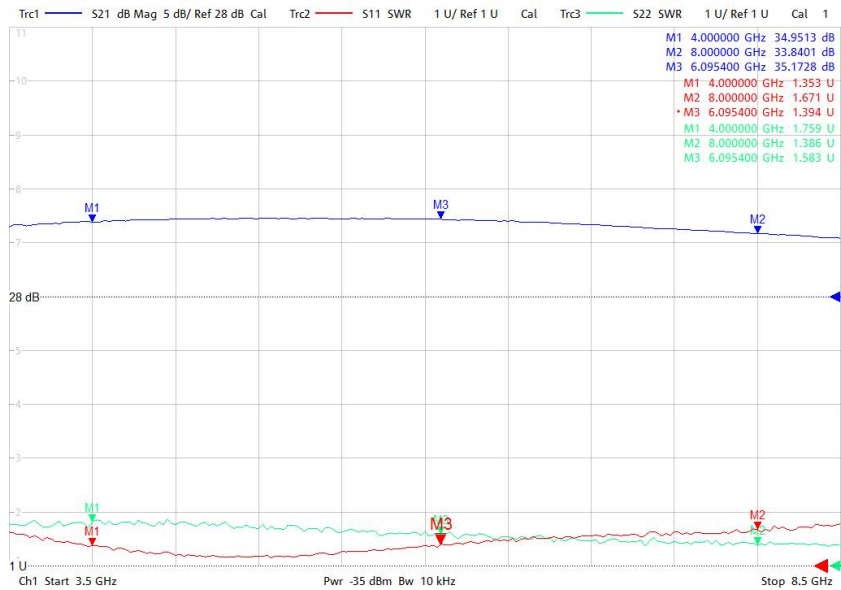
4-8GHz Low Noise Amplifier

P/N: MZLNA0408GB25



Performance Plot

Gain&Input VSWR&Output VSWR



MICZEN THCNOLOGIES CO.,LTD.

Phone: +86 28 65003621 | E-mail: sales@miczen.com | Web: www.miczen.com