

# 0.1-40GHz Low Noise Amplifier

P/N: MZLNA00104GA30



## Description:

The amplifier is a low noise amplifier with a typical small signal gain of 15 dB and a typical noise figure of 8.0 dB across the frequency range of 0.000005 to 50 GHz. The typical output power P-1 10dBm. The DC power requirement for the amplifier is +8~12 VDC/350 mA. Accept customization according to different needs.



- Radar Systems
- Communication Systems
- Receivers Systems

## Electrical Specifications ( +25°C ) :

Parameter	Min.	Typ.	Max.	Units
Frequency Range		0.000005-50		GHz
Gain	14	15		dB
Gain Flatness		±3		dB
Input VSWR		2.0	2.5	-
Output VSWR		2.0	2.5	-
Output Power for (P1dB)	18@50KHz-40GHz; 15@40GHz-50GHz	19@50KHz-40GHz; 16@40GHz-50GHz		dBm
Spurious		-60		dBc
Noise Figure		8.0		dB
Output IP3		25		dBm
Input Max Power(no damage)			+10	dBm
DC Current (Vcc=+8~12V)		350		mA
Impedance		50		Ω
Input/Output Connector		2.4mm-Female/2.4mm-Female		
Material		Aluminium		
Weight		30g		
Package Sealing		General Sealing (Standard)		

## Environmental Specifications:

- ※ Operational Temperature -25°C~+85°C
- ※ Storage Temperature -55°C~+125°C



OBSERVE  
PRECAUTIONS ELECTROSTATIC  
SENSITIVE DEVICES

MICZEN THCHNOLOGIES CO.,LTD.

Phone: +86 28 65003621 | E-mail: sales@miczen.com | Web: www.miczen.com

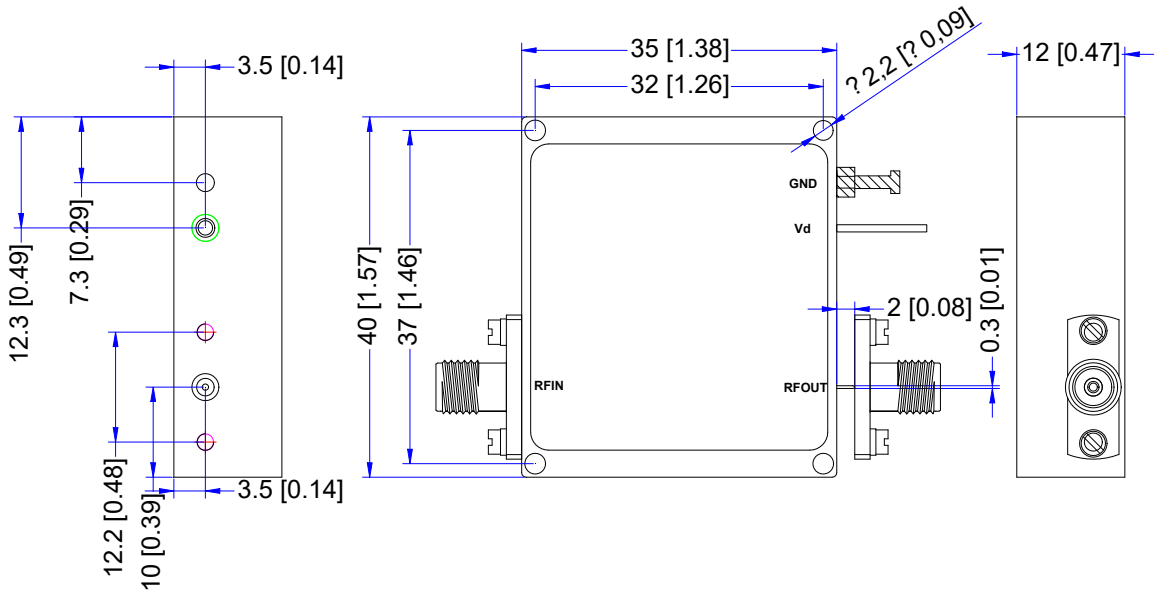
# 0.1-40GHz Low Noise Amplifier

P/N: MZLNA00104GA30



## ■ Outline Drawing

All Dimensions in mm (inches) Tolerance  $\pm 0.25$  (0.01)



**\*\*\*Heat Sink required during operation\*\*\***

### NOTE:

1. The product is designed to meet environmental ratings but not tested. If you need to test environmental condition, please contact our sales department.
2. Miczen technologies co., Ltd. reserves the right to change the above information without notice.

**MICZEN THCHNOLOGIES CO.,LTD.**

Phone: +86 28 65003621 | E-mail: sales@miczen.com | Web: www.miczen.com