

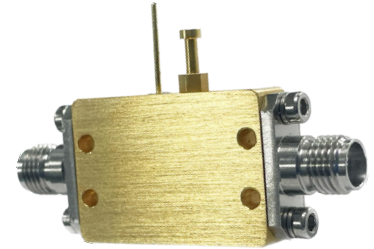
0.01-1.2GHz Low Noise Amplifier

P/N: MZLNA0001012GA10



Description:

The amplifier is a low noise amplifier with a typical small signal gain of 10.5 dB and a typical noise figure of 3.5 dB across the frequency range of 0.01 to 1.2GHz. The typical output power P-1 20dBm. The DC power requirement for the amplifier is +12 VDC/100 mA. Accept customization according to different needs.



- Radar Systems
- Communication Systems
- Receivers Systems

Electrical Specifications (+25°C) :

Parameter	Min.	Typ.	Max.	Units
Frequency Range		0.01-1.2		GHz
Gain	10.5			dB
Gain Flatness			±0.5	dB
Input VSWR			1.8	-
Output VSWR			1.8	-
Output Power for (P1dB)	20			dBm
Output Power Psat		21		dBm
Spurious		-60		dBc
Noise Figure			3.5	dB
Input Max Power(no damage)			20	dBm
DC Voltage		12		V
DC Current		100		mA
Impedance		50		Ω
Input/Output Connector	2.92mm-Female/2.92mm-Female			
Material	Aluminium/Gold Painting			
Weight	50g			
Package Sealing	General Sealing (Standard)			

Environmental Specifications:

- ※ Operational Temperature -25°C~+85°C
- ※ Storage Temperature -55°C~+125°C



OBSERVE
PRECAUTIONS ELECTROSTATIC
SENSITIVE DEVICES

MICZEN THCHNOLOGIES CO.,LTD.

Phone: +86 28 65003621 | E-mail: sales@miczen.com | Web: www.miczen.com

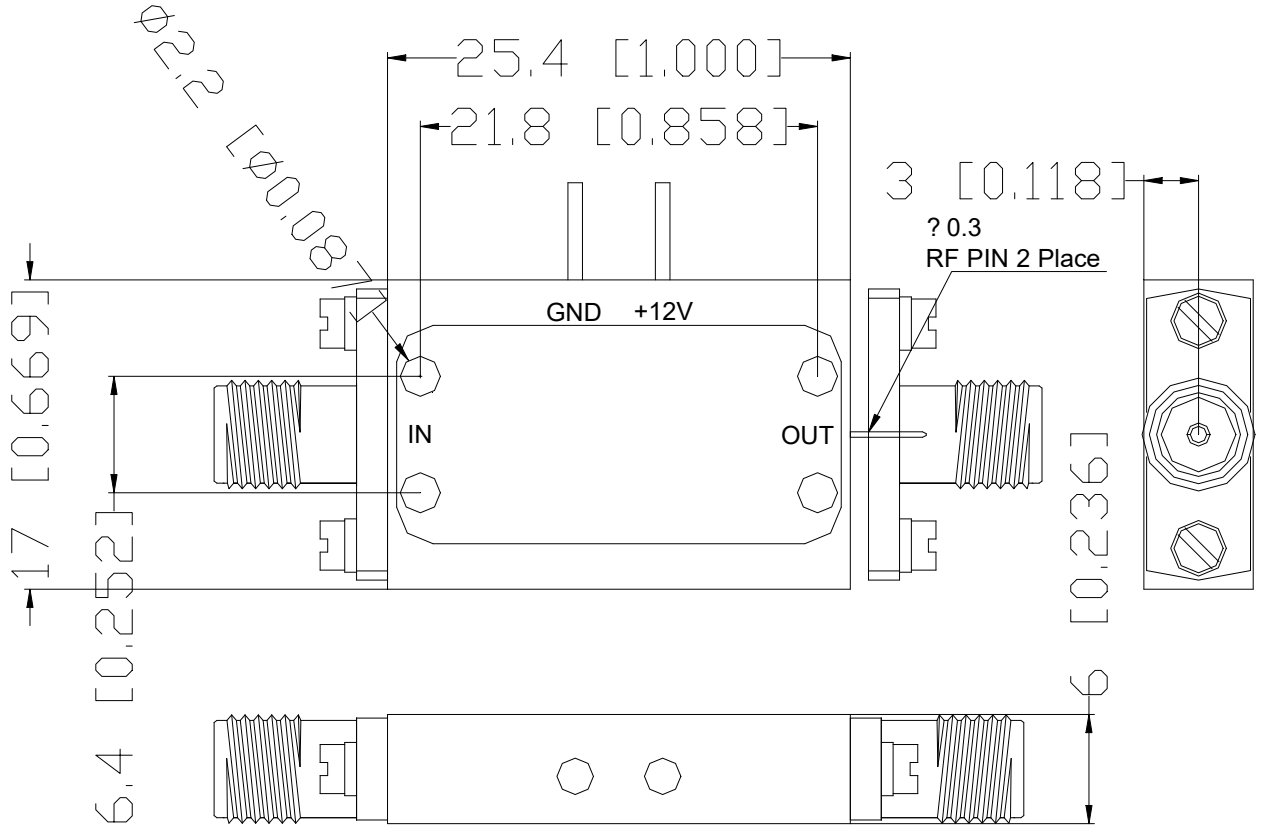
0.01-1.2GHz Low Noise Amplifier

P/N: MZLNA0001012GA10



■ Outline Drawing

All Dimensions in mm (inches) Tolerance ± 0.25 (0.01)



*****Heat Sink required during operation*****

NOTE:

1. The product is designed to meet environmental ratings but not tested. If you need to test environmental condition, please contact our sales department.
2. Miczen technologies co., Ltd. reserves the right to change the above information without notice.

MICZEN THCHNOLOGIES CO.,LTD.

Phone: +86 28 65003621 | E-mail: sales@miczen.com | Web: www.miczen.com