

0.0015-0.03GHz Low Noise Amplifier

P/N: MZLNA0000150003GA22



Description:

The amplifier is a low noise amplifier with a typical small signal gain of 22 dB and a typical noise figure of 4 dB across the frequency range of 0.0015 to 0.03 GHz. The typical output power P-1 20dBm. The DC power requirement for the amplifier is +12 VDC/400 mA. Accept customization according to different needs.



- Radar Systems
- Communication Systems
- Receivers Systems

Electrical Specifications (+25°C) :

Parameter	Min.	Typ.	Max.	Units
Frequency Range		0.0015-0.03		GHz
Gain	20	22		dB
Gain Flatness			±0.5	dB
Input VSWR			1.5	-
Output VSWR			1.5	-
Output Power for (P1dB)	20			dBm
Phase consistency		±0.5		dB
Amplitude consistency		±1		°
Reverse Isolation	24			dB
Spurious		-60		dBc
Noise Figure			4	dB
Output IP2	70			dBm
Output IP3	42			dBm
Input Max Power(no damage)			10	dBm
DC Current (Vcc=+12V)			400	mA
Impedance		50		Ω
Input/Output Connector		SMA-Female/SMA-Female		
Material		Aluminium		
Weight		-		
Package Sealing		General Sealing (Standard)		

Environmental Specifications:

- ※ Operational Temperature -25°C~+85°C
- ※ Storage Temperature -55°C~+125°C



OBSERVE
PRECAUTIONS ELECTROSTATIC
SENSITIVE DEVICES

MICZEN THCHNOLOGIES CO.,LTD.

Phone: +86 28 65003621 | E-mail: sales@miczen.com | Web: www.miczen.com

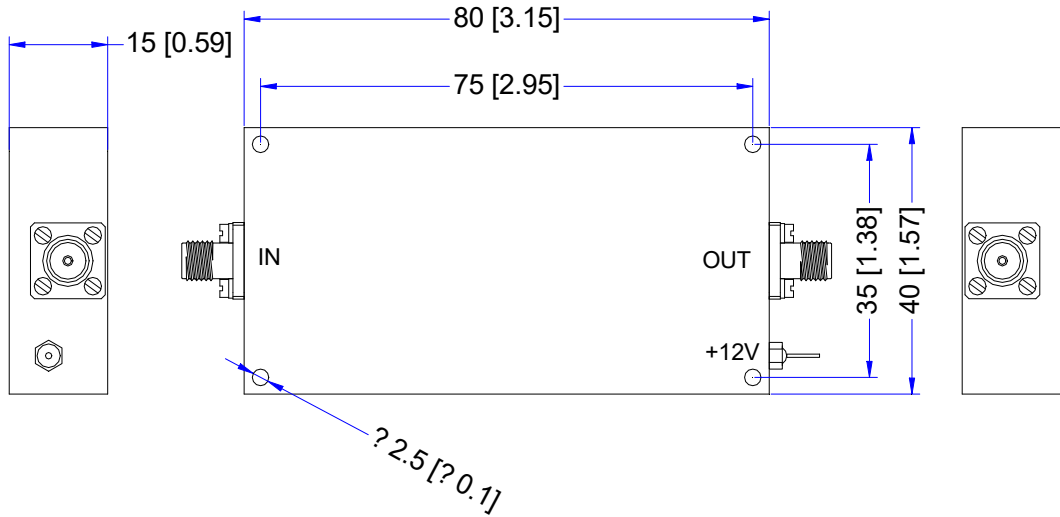
0.0015-0.03GHz Low Noise Amplifier

P/N: MZLNA0000150003GA22



■ Outline Drawing

All Dimensions in mm (inches) Tolerance ± 0.25 (0.01)



*****Heat Sink required during operation*****

NOTE:

1. The product is designed to meet environmental ratings but not tested. If you need to test environmental condition, please contact our sales department.
2. Miczen technologies co., Ltd. reserves the right to change the above information without notice.

MICZEN THCHNOLOGIES CO.,LTD.

Phone: +86 28 65003621 | E-mail: sales@miczen.com | Web: www.miczen.com