

2-18GHz Broadband Power Limiter

P/N: MZLMT0218GA20W



Description:

The limiter is a broadband power limiter with a typical insertion loss of 2.8 and a low flat leakage of 17dBm across the frequency range of 2 to 18 GHz. The power limiter can handling power 1W. Accept customization according to different needs.



- Radar Systems
- Communication Systems
- Receivers Systems

Electrical Specifications (+25°C) :

Parameter	Min.	Typ.	Max.	Units
Frequency Range		2-18		GHz
Insertion Loss			2.8	dB
Input VSWR			2.0	-
Output VSWR			2.0	
Flat Leakage			17	dBm
RF Input CW Power		20		W
Impedance		50		Ω
Input Output Connector		PIN		
Material		Aluminium\Gold Painting		
Weight		50g		
Package Sealing		General Sealing (Standard)		

Environmental Specifications:

- ※ Operational Temperature -25°C~+85°C
- ※ Storage Temperature -55°C~+125°C



OBSERVE
PRECAUTIONS ELECTROSTATIC
SENSITIVE DEVICES

MICZEN THCHNOLOGIES CO.,LTD.

Phone: +86 28 65003621 | E-mail: sales@miczen.com | Web: www.miczen.com

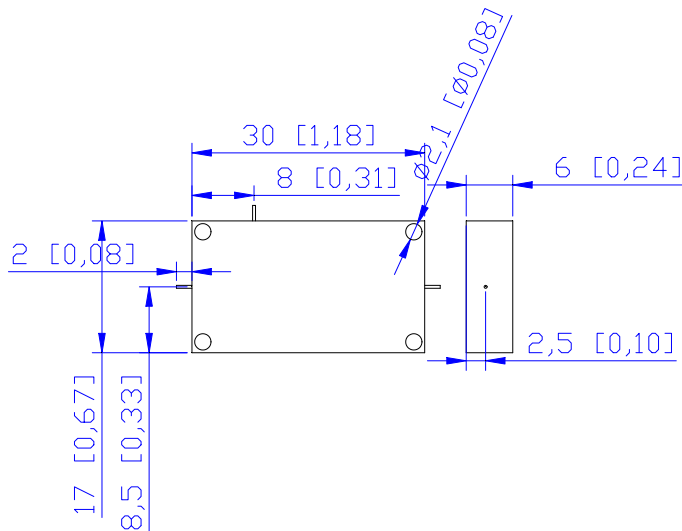
2-18GHz Broadband Power Limiter

P/N: MZLMT0218GA20W



■ Outline Drawing

All Dimensions in mm (inches) Tolerance ± 0.25 (0.01)



NOTE:

1. The product is designed to meet environmental ratings but not tested. If you need to test environmental condition, please contact our sales department.
2. Miczen technologies co., Ltd. reserves the right to change the above information without notice.

MICZEN THCHNOLOGIES CO.,LTD.

Phone: +86 28 65003621 | E-mail: sales@miczen.com | Web: www.miczen.com