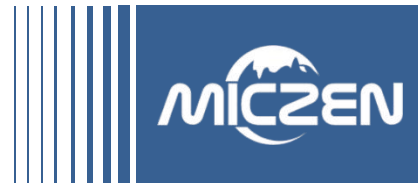


10.375-10.675GHz Coaxial Isolator

P/N: MZISL103106GA



Description:

The Isolator is a coaxial isolator with a typical insertion loss of 0.4 dB and a typical isolation of 21dB across the frequency range of 8 to 12 GHz. The isolator can reach handling average power of 10W. Accept customization according to different needs.



- Radar Systems
- Communication Systems
- Receivers Systems

Electrical Specifications (+25°C) :

Parameter	Min.	Typ.	Max.	Units
Frequency Range		10.375-10.675		GHz
Insertion Loss			0.4	dB
Isolation	20			dB
VSWR			1.2	-
Forward Power (CW)	10			W
Reverse Power (CW)	1			W
Rotation		Clockwise (Standard) Counter Clockwise (upon request)		
Impedance		50		Ω
Connector		SMA-Female		
Material		Aluminum		
Weight		17g		
Package Sealing		Nickel Plated		

Environmental Specifications:

- ※ Operational Temperature -45°C~+85°C
- ※ Storage Temperature -55°C~+105°C



OBSERVE
PRECAUTIONS ELECTROSTATIC
SENSITIVE DEVICES

MICZEN THCHNOLOGIES CO.,LTD.

Phone: +86 28 65003621 | E-mail: sales@miczen.com | Web: www.miczen.com

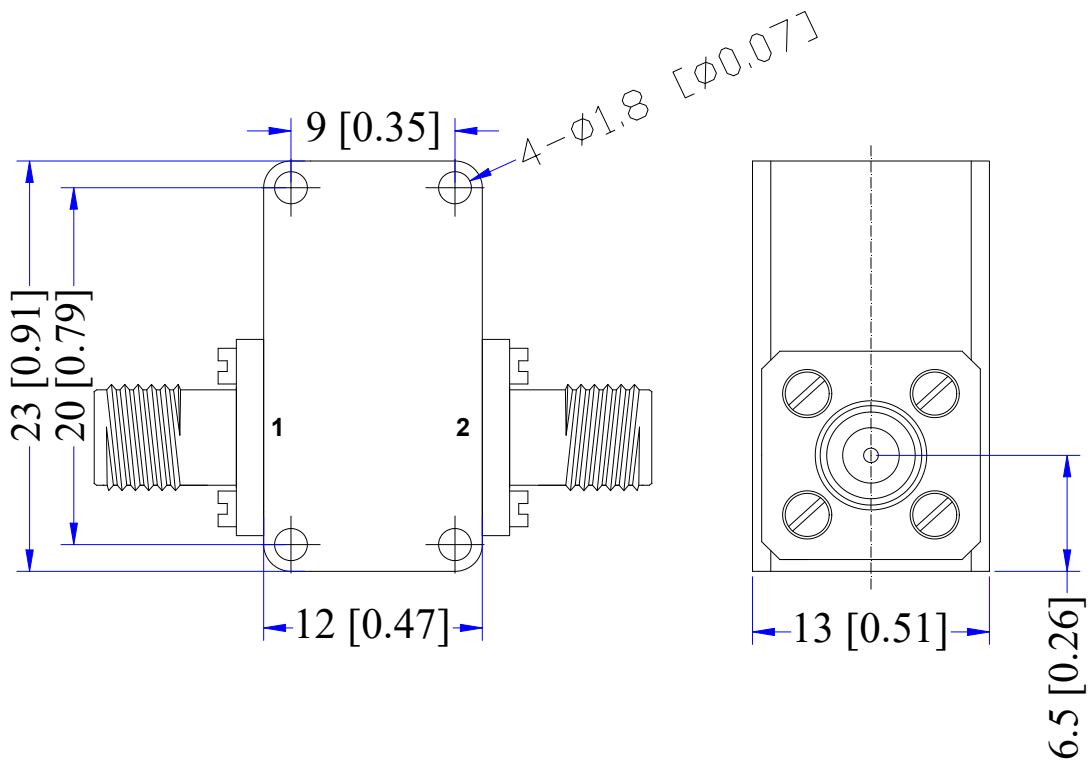
10.375-10.675GHz Coaxial Isolator

P/N: MZISL103106GA



■ Outline Drawing

All Dimensions in mm (inches) Tolerance ± 0.25 (0.01)



NOTE:

1. The product is designed to meet environmental ratings but not tested. If you need to test environmental condition, please contact our sales department.
2. Miczen technologies co., Ltd. reserves the right to change the above information without notice.

MICZEN THCHNOLOGIES CO.,LTD.

Phone: +86 28 65003621 | E-mail: sales@miczen.com | Web: www.miczen.com

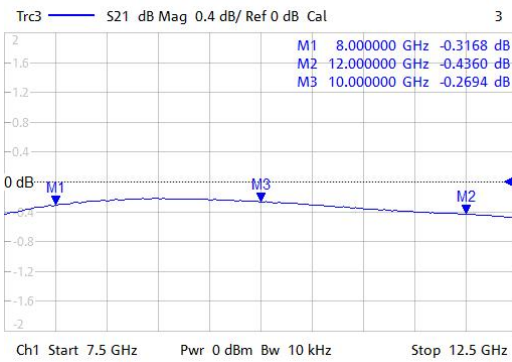
10.375-10.675GHz Coaxial Isolator

P/N: MZISL103106GA

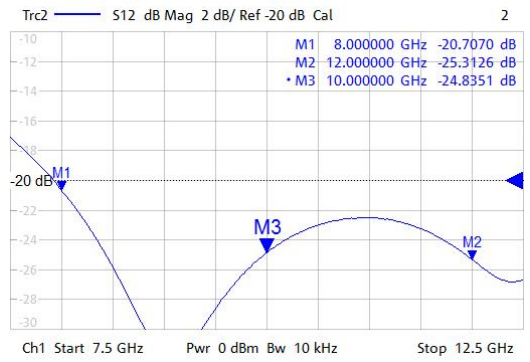


Performance Plot

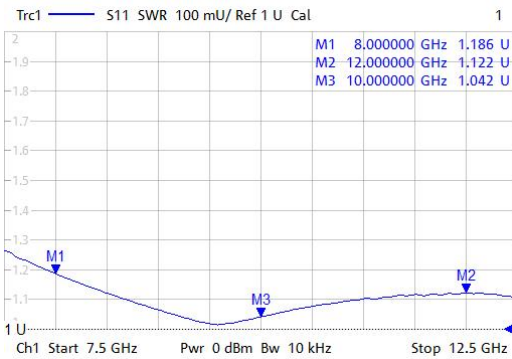
Insertion Loss



Isolation



VSWR 1



VSWR 2

