

# 24-43.5GHz Low Noise Amplifier

P/N: LNA240435GA45



## Description:

The amplifier is a low noise amplifier with a typical small signal gain of 45 dB and a typical noise figure of 3 dB across the frequency range of 24 to 43.5 GHz. The typical output power P-1 22dBm. The DC power requirement for the amplifier is +12 VDC/300 mA. Accept customization according to different needs.



- Radar Systems
- Communication Systems
- Receivers Systems

## Electrical Specifications ( +25°C ) :

Parameter	Min.	Typ.	Max.	Units
Frequency Range		24-43.5		GHz
Gain	40	45		dB
Gain Flatness		±2.0	±2.5	dB
Input VSWR		1.8	2.2	-
Output VSWR		1.8	3.0	-
Output Power for (P1dB)	21	22		dBm
Output Power Psat		22		dBm
Output IP3	27	28		dBm
Noise Figure		2.5	2.8	dB
Input Max Power(no damage)			5	dBm
DC Current (Vcc=+12V)		300		mA
Impedance		50		Ω
Input/Output Connector		2.4mm-Female/2.4mm-Female		
Material		Aluminium/Gold Painting		
Weight		50g		
Package Sealing		General Sealing (Standard)		

## Environmental Specifications:

- ※ Operational Temperature -25°C~+85°C
- ※ Storage Temperature -55°C~+125°C



OBSERVE  
PRECAUTIONS ELECTROSTATIC  
SENSITIVE DEVICES

MICZEN THCHNOLOGIES CO.,LTD.

Phone: +86 28 65003621 | E-mail: sales@miczen.com | Web: www.miczen.com

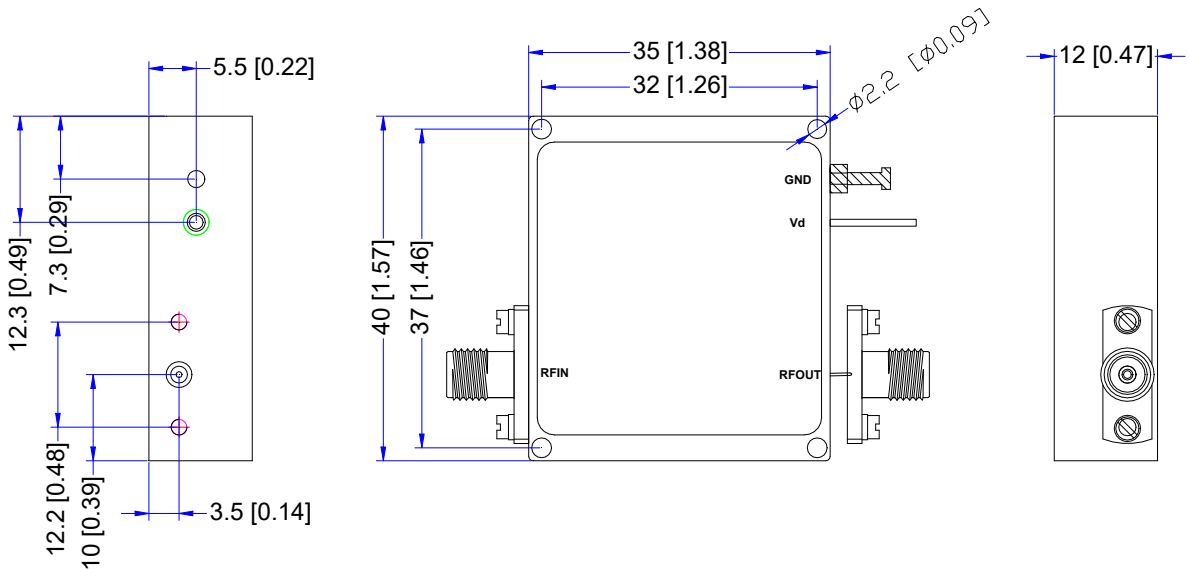
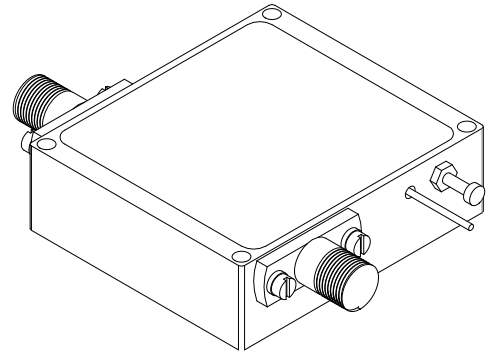
# 24-43.5GHz Low Noise Amplifier

P/N: LNA240435GA45



## ■ Outline Drawing

All Dimensions in mm (inches) Tolerance  $\pm 0.25$  (0.01)



**\*\*\*Heat Sink required during operation\*\*\***

### NOTE:

1. The product is designed to meet environmental ratings but not tested. If you need to test environmental condition, please contact our sales department.
2. Miczen technologies co., Ltd. reserves the right to change the above information without notice.

**MICZEN THCHNOLOGIES CO.,LTD.**

Phone: +86 28 65003621 | E-mail: sales@miczen.com | Web: www.miczen.com