

# 7.0-9.0GHz Low Noise Amplifier

P/N: LNA0709GWN50



## Description:

The amplifier is a low noise amplifier with a small signal gain of 50 dB and a noise figure of 90 K across the frequency range of 7.0 to 9.0 GHz. The output power P-1 13 dBm. The DC power requirement for the amplifier is 15V/200mA. Accept customization according to different needs.



- Radar Systems
- Communication Systems
- Receivers Systems

## Electrical Specifications ( +25°C ) :

| Parameter                      | Min. | Typ.                       | Max.  | Units |
|--------------------------------|------|----------------------------|-------|-------|
| Frequency Range                |      | 7.0-9.0                    |       | GHz   |
| Gain                           | 50   | 53                         |       | dB    |
| Gain Flatness                  |      |                            | ±0.75 | dB    |
| Gain Flatness@40MHz            |      |                            | 0.25  | dB    |
| Noise Figure Temperature@+23°C |      |                            | 90    | K     |
| Output Power for P1dB          | 13   |                            |       | dBm   |
| Output Power Psat              |      | 14                         |       | dBm   |
| Spurious                       | 60   |                            |       | dBc   |
| VSWR                           |      |                            | 1.5   | :1    |
| OIP3                           |      | 20                         |       | dBm   |
| Input Max Power(no damage)     |      |                            | -25   | dBm   |
| DC Supply Current (@+15V)      |      | 200                        |       | mA    |
| DC Connector                   |      | SMA-50K                    |       |       |
| Input/Output Connector         |      | BJ84/N-50K                 |       |       |
| Impedance                      |      | 50                         |       | Ω     |
| Material                       |      | Aluminium/Sliver Painting  |       |       |
| Weight                         |      | -                          |       |       |
| Package Sealing                |      | General Sealing (Standard) |       |       |

## Environmental Specifications:

- ※ Operational Temperature -40°C~+55°C
- ※ Storage Temperature -55°C~+70°C



OBSERVE  
PRECAUTIONS ELECTROSTATIC  
SENSITIVE DEVICES

MICZEN THCHNOLOGIES CO.,LTD.

Phone: +86 28 65003621 | E-mail: sales@miczen.com | Web: www.miczen.com

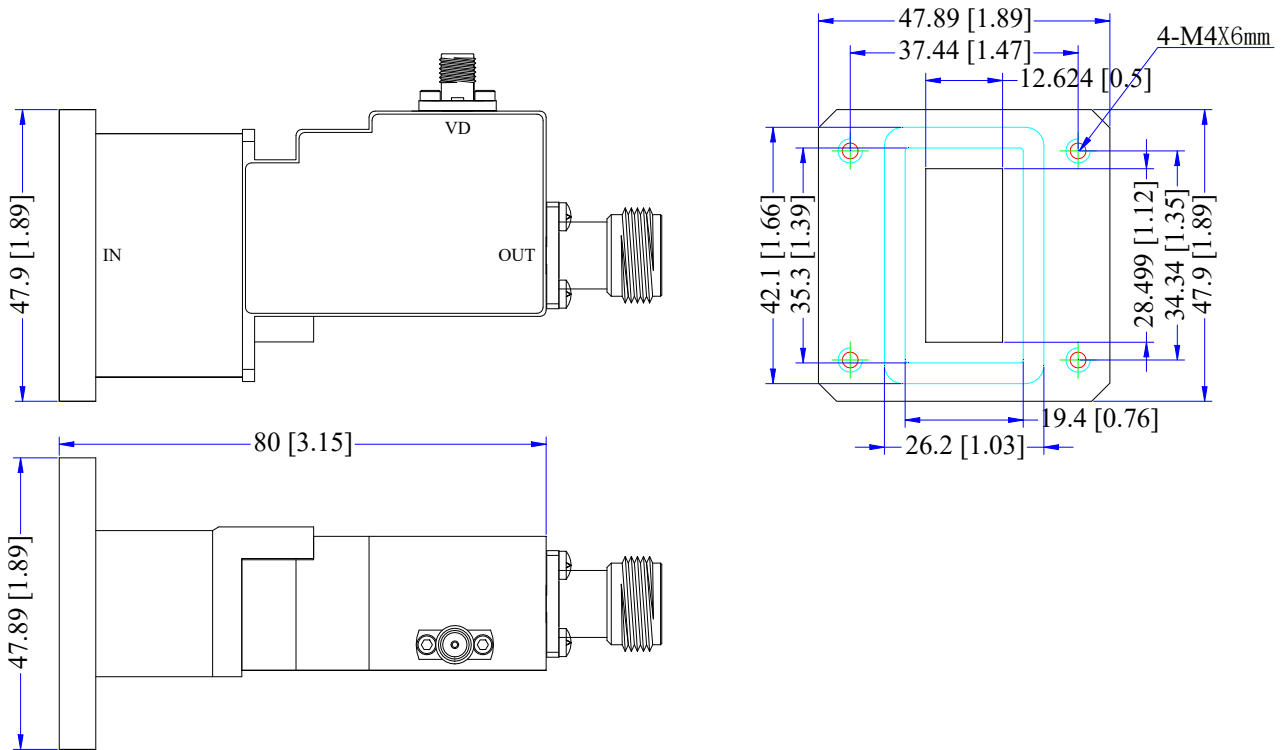
# 7.0-9.0GHz Low Noise Amplifier

P/N: LNA0709GWN50



## ■ Outline Drawing

All Dimensions in mm (inches) Tolerance  $\pm 0.25$  (0.01)



**\*\*\*Heat Sink required during operation\*\*\***

### NOTE:

1. The product is designed to meet environmental ratings but not tested. If you need to test environmental condition, please contact our sales department.
2. Miczen technologies co., Ltd. reserves the right to change the above information without notice.

**MICZEN THCHNOLOGIES CO.,LTD.**

Phone: +86 28 65003621 | E-mail: sales@miczen.com | Web: www.miczen.com