

0.4-8.0GHz Low Noise Amplifier

P/N: LNA004080GA28



Description:

The amplifier is a low noise amplifier with a typical small signal gain of 28 dB and a noise figure of 3.0 dB across the frequency range of 0.4 to 8.0 GHz. The output power P-1 14dBm. The DC power requirement for the amplifier is +12 VDC/200 mA. Accept customization according to different needs.



- Radar Systems
- Communication Systems
- Receivers Systems

Electrical Specifications (+25°C) :

Parameter	Min.	Typ.	Max.	Units
Frequency Range		0.4-8.0		GHz
Gain	28			dB
Gain Flatness			±1.5	dB
Gain Flatness@0.4-6GHz			0.1@20MHz	dB
Gain Flatness@6-8GHz			0.2@20MHz	dB
Gain Ripple			0.7	dB
Input VSWR			2	:1
Output VSWR			2.2	:1
Output Power for (P1dB)	14			dBm
Noise Figure		2.8	3.0	dB
OIP3		22		dBm
Input Max Power(no damage)			+18	dBm
DC Current (Vcc=+12V)			200	mA
Input/Output Connector	SMA-Female/SMA-Female			
Impedance		50		Ω
Material	Aluminium/Gold Painting			
Weight	-			
Package Sealing	General Sealing (Standard)			

Environmental Specifications:

- ※ Operational Temperature -30°C~+75°C
- ※ Storage Temperature -55°C~+125°C



OBSERVE PRECAUTIONS ELECTROSTATIC SENSITIVE DEVICES

MICZEN THCHNOLOGIES CO.,LTD.

Phone: +86 28 65003621 | E-mail: sales@miczen.com | Web: www.miczen.com

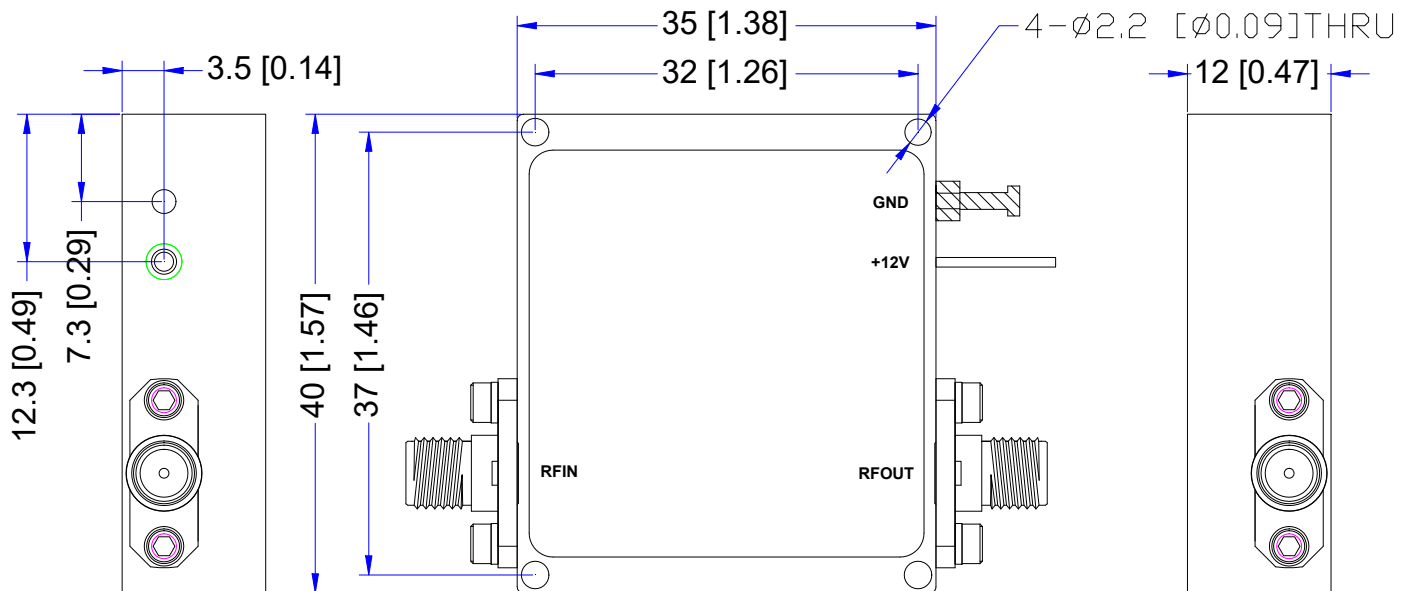
0.4-8.0GHz Low Noise Amplifier

P/N: LNA004080GA28



■ Outline Drawing

All Dimensions in mm (inches) Tolerance ± 0.25 (0.01)



*****Heat Sink required during operation*****

NOTE:

1. The product is designed to meet environmental ratings but not tested. If you need to test environmental condition, please contact our sales department.
2. Miczen technologies co., Ltd. reserves the right to change the above information without notice.

MICZEN THCNOLOGIES CO.,LTD.

Phone: +86 28 65003621 | E-mail: sales@miczen.com | Web: www.miczen.com