

# 0.5-1GHz Broadband 180° Hybrid

P/N: MZH800501GA



## ■ Features

- Ultra Broadband
- Low Insertion Loss
- High Isolation
- Rush Delivery
- Fast Response
- Customization Available Upon Request



## ■ Applications

- Radar Systems
- Communication Systems
- Receiving Systems

## ■ Electrical Specifications

| Parameter               | Min.                    | Typ. | Max. | Units |
|-------------------------|-------------------------|------|------|-------|
| Frequency Range         | 0.5-1                   |      |      | GHz   |
| Insertion Loss          |                         | 0.4  | 0.6  | dB    |
| Isolation               | 22                      |      |      | dB    |
| VSWR                    |                         |      | 1.4  | -     |
| Amplitude Unbalance     |                         |      | ±0.5 | dB    |
| Phase Unbalance         |                         |      | ±10  | °     |
| Power Handle Capability | 50                      |      |      | W     |
| Weight                  | /                       |      |      | g     |
| Impedance               | 50                      |      |      | Ω     |
| Input Connector         | SMA-FEMALE              |      |      |       |
| Output Connector        | SMA-FEMALE              |      |      |       |
| Material                | Aluminum                |      |      |       |
| Finishing               | Epoxy Paint(Blue Color) |      |      |       |

MICZEN THCHNOLOGIES CO.,LTD.

Tel: +86 28 65003621 | E-mail: sales@miczen.com | Web: www.miczen.com

# 0.5-1GHz Broadband 180° Hybrid

P/N: MZH800501GA

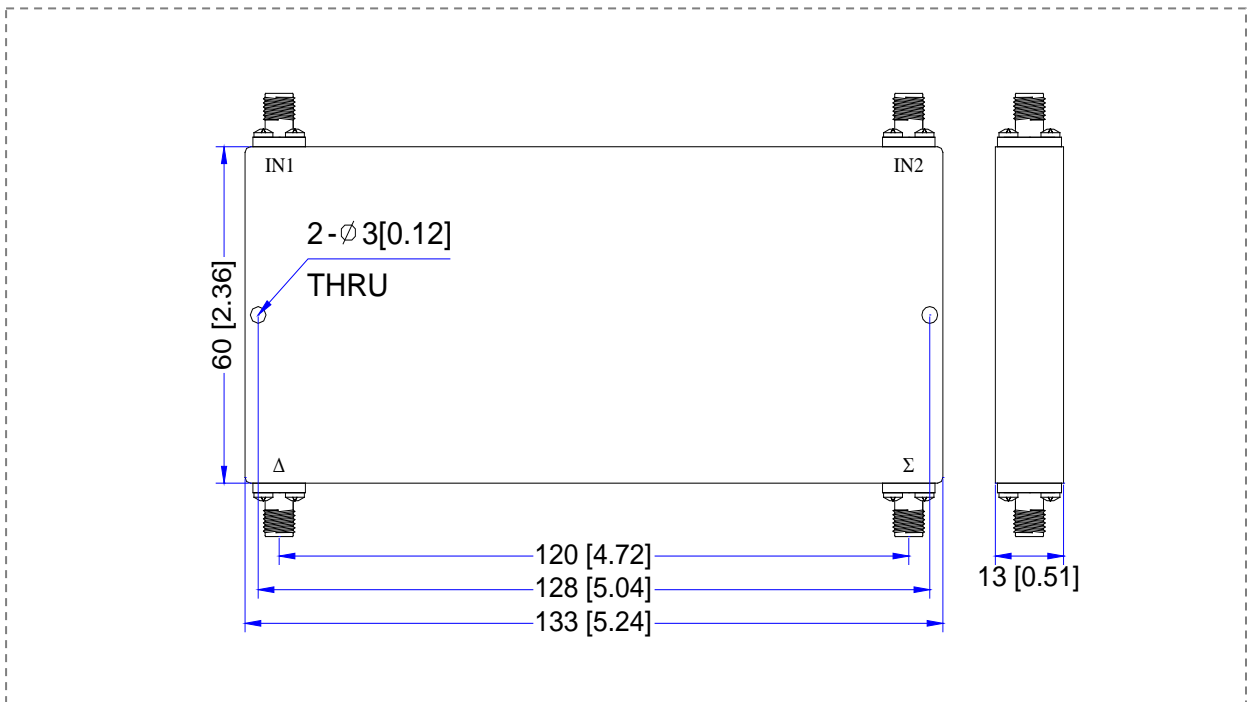


## ■ Environmental Conditions

|                                |              |                  |                                                       |
|--------------------------------|--------------|------------------|-------------------------------------------------------|
| <b>Operational Temperature</b> | -45°C~+85°C  | <b>Vibration</b> | 25g RMS (15 degrees 2KHz) endurance, 1 hour per axis  |
| <b>Storage Temperature</b>     | -55°C~+125°C | <b>Shock</b>     | 20G for 11msec half sine wave, 3 axis both directions |
| <b>Executive Standard</b>      | MIL-STD-810G | <b>Humidity</b>  | 100% RH at 35°C, 95%RH at 40°C                        |

## ■ Outline Drawing

All Dimensions in mm ( inches ) Tolerance  $\pm 0.25$  ( 0.01 )



### NOTE:

1. The product is designed to meet environmental ratings but not tested. If you need to test environmental condition, please contact our sales department.
2. Miczen technologies co., Ltd. reserves the right to change the above information without notice.

**MICZEN THCHNOLOGIES CO.,LTD.**

Tel: +86 28 65003621 | E-mail: sales@miczen.com | Web: www.miczen.com