

# 2-18GHz Broadband 180° Hybrid

P/N: MZH80218GA



## ■ Features

- Ultra Broadband
- Low Insertion Loss
- High Isolation
- Rush Delivery
- Fast Response
- Customization Available Upon Request

## ■ Applications

- Radar Systems
- Communication Systems
- Receiving Systems



## ■ Electrical Specifications

Parameter	Min.	Typ.	Max.	Units
Frequency Range	2-18			GHz
Insertion Loss		2.1	2.3	dB
Isolation	15	16		dB
VSWR		1.5	1.8	-
Amplitude Unbalance		±0.8	±1.0	dB
Phase Unbalance			±10	°
Power Handle Capability	30			W
Weight	170			g
Impedance	50			Ω
Input Connector	SMA-FEMALE			
Output Connector	SMA-FEMALE			
Material	Aluminum			
Finishing	Epoxy Paint(Blue Color)			

MICZEN THCNOLOGIES CO.,LTD.

Tel: +86 28 65003621 | E-mail: sales@miczen.com | Web: www.miczen.com

# 2-18GHz Broadband 180° Hybrid

P/N: MZH80218GA

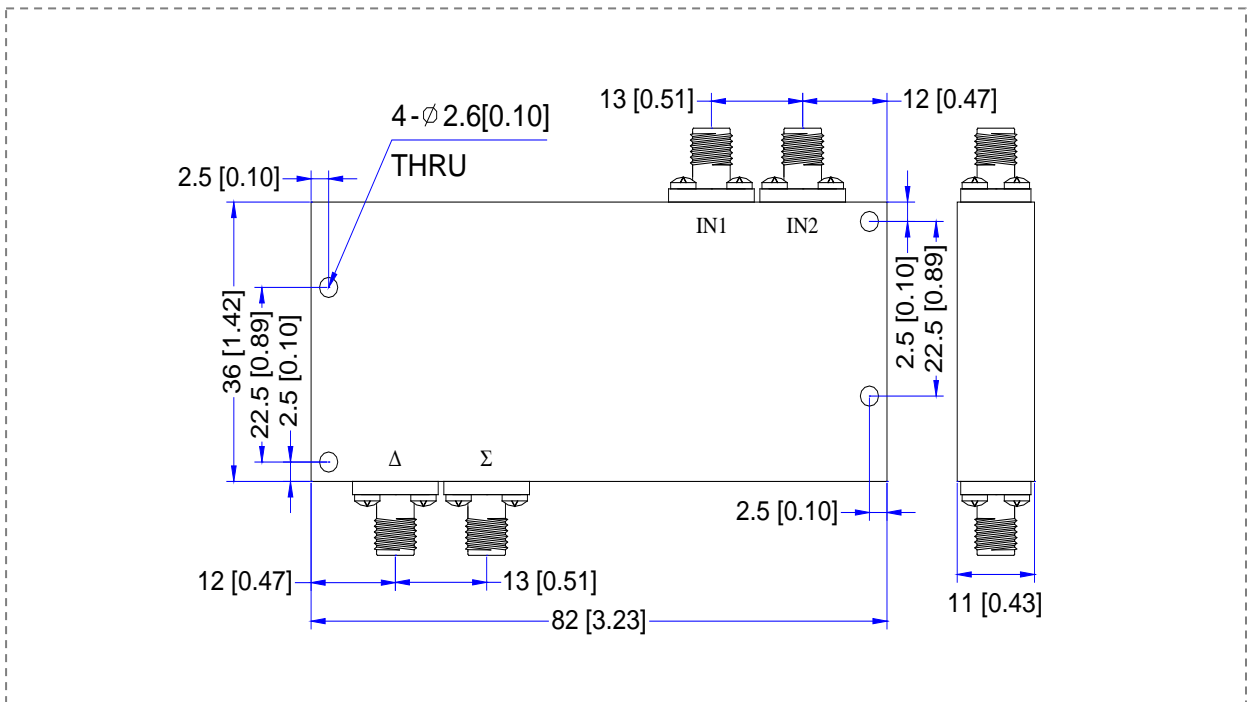


## ■ Environmental Conditions

<b>Operational Temperature</b>	-45°C~+85°C	<b>Vibration</b>	25g RMS (15 degrees 2KHz) endurance, 1 hour per axis
<b>Storage Temperature</b>	-55°C~+125°C	<b>Shock</b>	20G for 11msec half sine wave, 3 axis both directions
<b>Executive Standard</b>	MIL-STD-810G	<b>Humidity</b>	100% RH at 35°C, 95%RH at 40°C

## ■ Outline Drawing

All Dimensions in mm ( inches ) Tolerance  $\pm 0.25$  ( 0.01 )



### NOTE:

1. The product is designed to meet environmental ratings but not tested. If you need to test environmental condition, please contact our sales department.
2. Miczen technologies co., Ltd. reserves the right to change the above information without notice.

**MICZEN THCNOLOGIES CO.,LTD.**

Tel: +86 28 65003621 | E-mail: sales@miczen.com | Web: www.miczen.com