

Description :

The MZP20709GA is a 7-9GHz Ultra Wide Band Power Divider.
The Insertion Loss is 0.5dB Max and the Isolation is 20dB Minimum.

SPECIFICATIONS:

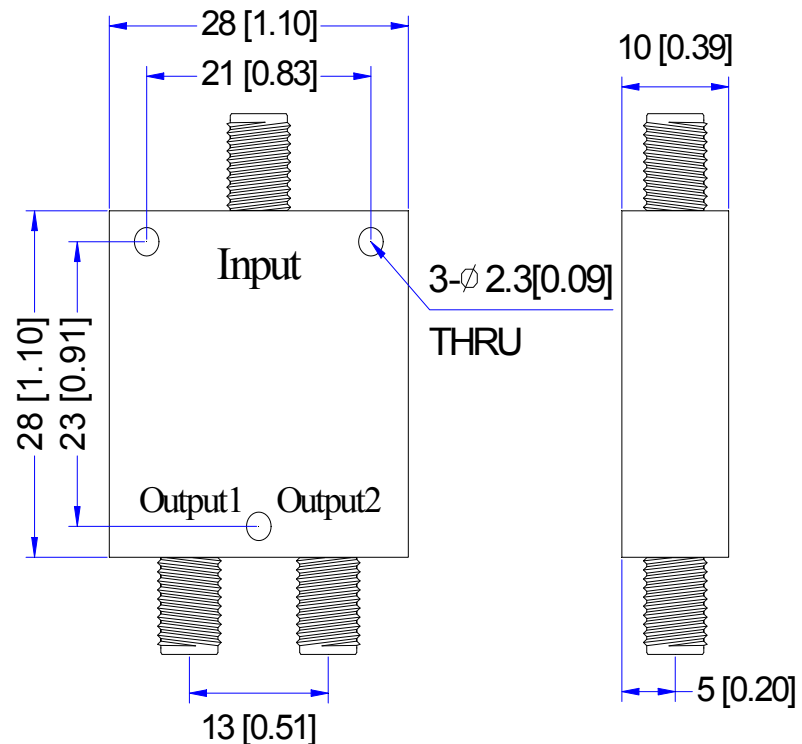
- ◆ FREQUENCY RANGE:.....7 TO 9GHz
- ◆ INSERTION LOSS:.....0.4dB Typ. 0.5dB MAX
- ◆ VSWR:.....1.3:1 IN MAX; 1.2:1 OUT MAX
- ◆ AMPLITUDE UNBALANCE:.....±0.2dB MAX
- ◆ PHASE UNBALANCE :.....±2° MAX
- ◆ ISOLATION:.....21dB Typ. 20dB MIN
- ◆ POWER RATING:.....20W (FORWARD POWER)
1W (REVERSE POWER)
- ◆ IMPEDANCE:.....50 OHMS
- ◆ CONNECTORS:.....SMA-FEMALE (INPUT AND OUTPUT)
- ◆ WEIGHT:.....20g Typ.
- ◆ SURFACE FINISH :.....BLACK PAINT (OPTIONAL)

ENVIRONMENTAL CONDITION:

- ◆ TEMPERATURE:.....-45°C TO 85°C (OPERATING)
-55°C TO 125°C (STORAGE)
- ◆ SHOCK :.....GJB9001
- ◆ VIBRATION :.....GJB9001
- ◆ HUMIDITY :.....GJB9001

NOTE: The product is designed to meet environmental ratings but not tested. If need to test environmental condition, please contact our sales department.

REVISIONS			
REV.	DESCRIPTION	DATE	APPROVED
A	RELEASED TO PROD	7/15/15	C.Y
B	REVISE SPECIFICATIONS	-	
C	UPDATE MODEL NUMBER	-	



MICZEN TECHNOLOGIES CO.,LTD

Tel: +86 028-85101709

Fax: +86 028-85558693

Email:sales@miczen.com

DWG NO P012	PART NUMBER MZP20709GA	REV. A
SCALE 1:1	Ultra Wide Band Power Divider 7-9GHz	SHEET 1 OF 2