

## MZBF1220GA

### Features:

- Ultra Wide Band
- Low Insertion Loss
- High Rejection
- Small Size
- Rush Delivery
- Fast Response
- Customization Available Upon Request

### Electronic Specifications, TA = +25 ° C, 50 Ohm System

Parameters	Min.	Typ.	Max.	Units
Frequency Range	12		20	GHz
Insertion Loss			1.0	dB
Pass Band Ripple			1.0	dB
VSWR			1.8	
Rejection	≥40dB @DC-10GHz&24-25GHz			dB
Power Rating			30	W
Operating Temperature	-45		+85	°C
Impedance	50			Ohms
Weight	/			g
Input / Output Connector	SMA-FEMALE			
Material	Aluminum			
Finishing	Black Paint			

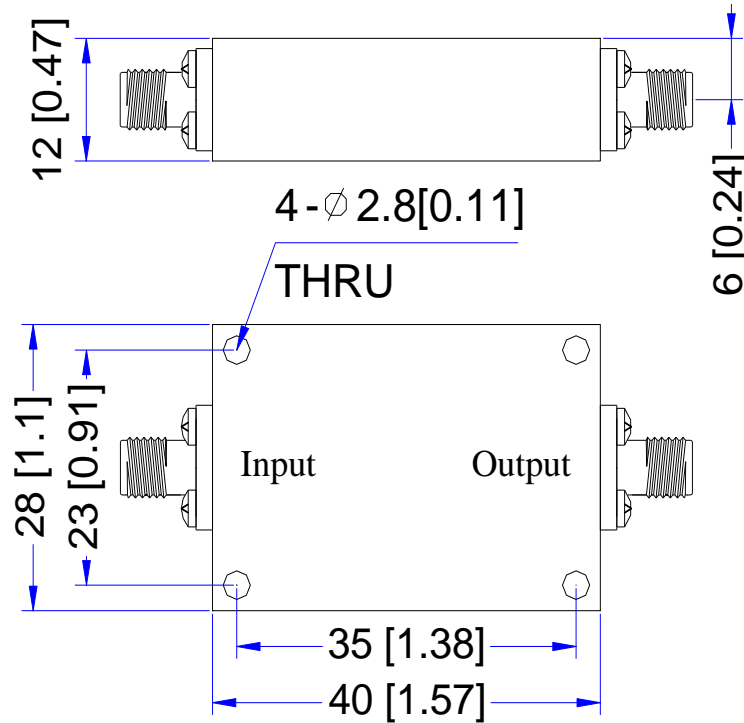
### Environmental Conditions:

Operational Temperature	-45°C~+85°C	Vibration	25g rms (15 degree 2KHz) endurance, 1 hour per axis
Storage Temperature	-55°C~+125°C	Shock	20G for 11msc half sin wave,3 axis both directions
Executive Standard	GJB9001	Humidity	100% RH at 35c, 95%RH at 40°C

## MZBF1220GA

### Outline Drawing:

All Dimensions in mm ( inches ) Tolerance  $\pm 0.25$  ( 0.01 )



### COMPANY STATEMENT:

Information provided by Miczen Technologies Co.,Ltd. is believed to be accurate and reliable. However, no responsibility is assumed by Miczen Technologies Co.,Ltd. for its use. Specifications subject to change without notice.